

RS 250 EC K 01

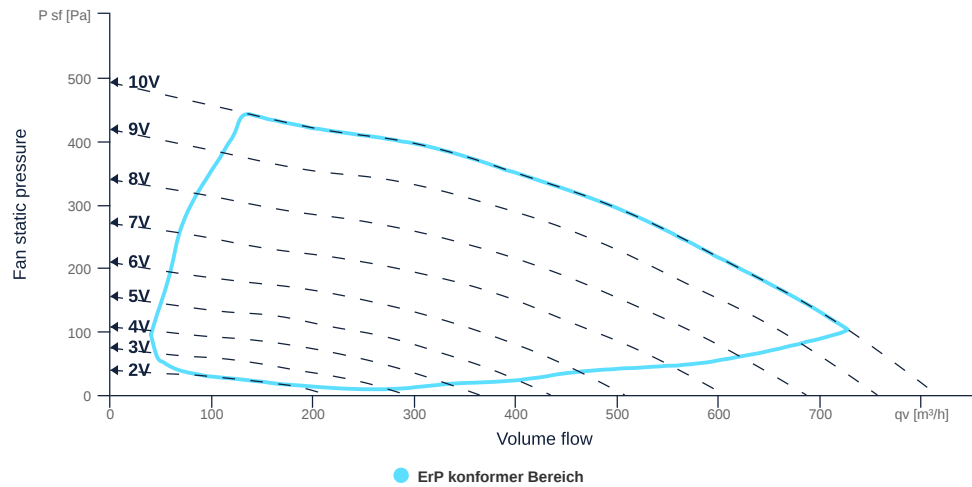
154639

- Compact centrifugal fan
- Backward curved impeller
- Sheet steel housing, RAL 7035, powder coated
- High efficiency EC motor, steplessly controllable
- Conveyed medium temperature up to 60 °C in continuous operation
- Internal electronic temperature monitoring



FAN CURVES

Name	Value	Unit
Volume flow	0	m³/h
Pressure	0	Pa



to the product detail page

RS 250 EC K 01

154639

ruck

GENERAL DATA

Name	Value	Unit	Formula symbol
Labeling	CE, UKCA		
Duct size	-		WxH _{duct}
Pipe connection size (DN)	DN250		DN
Rated voltage (entire device)	230	V	U _{rated}
Phases (entire device)	1~		phase
Electrical protection (entire device)	6 A		fuse
Housing material	Steel		mat _{casing}
Impeller material	Plastic		mat _{impeller}
IP-protection class (entire device)	IPX4		IP _{compl}
IP-Protection class (terminal box)	IP44		IP _{ebox}
Weight	3.77	kg	m
Nominal air flow rate, nominal point m ³ /h	471.6	m ³ /h	Q _{v,nom}
Nominal external pressure, static	207.3	Pa	ps, _{nom}
Fan type	Radial		Fan _{type}
Category / Installation situation	B		cat

ERP DATA (LOT 6)

Name	Value	Unit	Formula symbol
Nominal air flow rate, nominal point m ³ /s	0.13	m ³ /s	Q _{v,nom}
Actual electrical input power, nominal point	0.06	kW	Pe, _{nom}
Face velocity, nominal point	2.7	m/s	V _{nom}
Nominal external pressure, static	207.3	Pa	ps, _{nom}
supply air fan static efficiency, nominal point	54.8	%	η _{es,SUP}
Highest external air leakage rate	0.39	%	
Enclosure sound level, nominal point	61	dB(A)	L _{WA2}
Rating	Product is compliant 2018		



to the product detail page

MAXIMAL DATA

Name	Value		Unit	Formula symbol
	50 Hz	60 Hz		
Max. power consumption (device)	90	90	W	$P_{ed, max}$
Max. operating current (device)	0.81	0.81	A	$I_{ed, max}$
Max. speed	2895	2895	1/min	n_{max}
Max. stat. efficiency	42.4	42.4	%	η_{es}
Max. fan efficiency	43	43	%	η_e
Max. flowrate	815	815	m ³ /h	Q_v, max
Max. stat pressure	490	490	Pa	$p_{st, max}$
Max. medium temperature	60	60	°C	$T_{m, max}$
Max. environment temperature	60	60	°C	$T_{amb, max}$
Min. environment temperature	-30	-30	°C	$T_{amb, min}$

MOTOR DATA

Name	Value		Unit	Formula symbol
	50 Hz	60 Hz		
Rated frequency (device)		50		f
Motor type		EC		phase
Control type		stepless-controlled		ctrltype
Installation type		ORM (Out)		install
Rotation direction		right		rotation
Isolation class		ISO F		ISOclass
Motor-protection		TEC		protectmotor
Protection class		IP54		IPmotor
Is pole-changeable		No		polexch
Type of power supply		AC 1~		pwrsupmotor
Rated voltage	230		V	$U_{rated, f1}$
Rated current	0.89		A	$I_{rated, f1}$
Shaft power	113		W	$P_{out, f1}$
Speed	2908		1/min	n_{f1}
Efficiency	48.7		%	$\eta_{m, f1}$
UL-Certification motor		None		ULcert

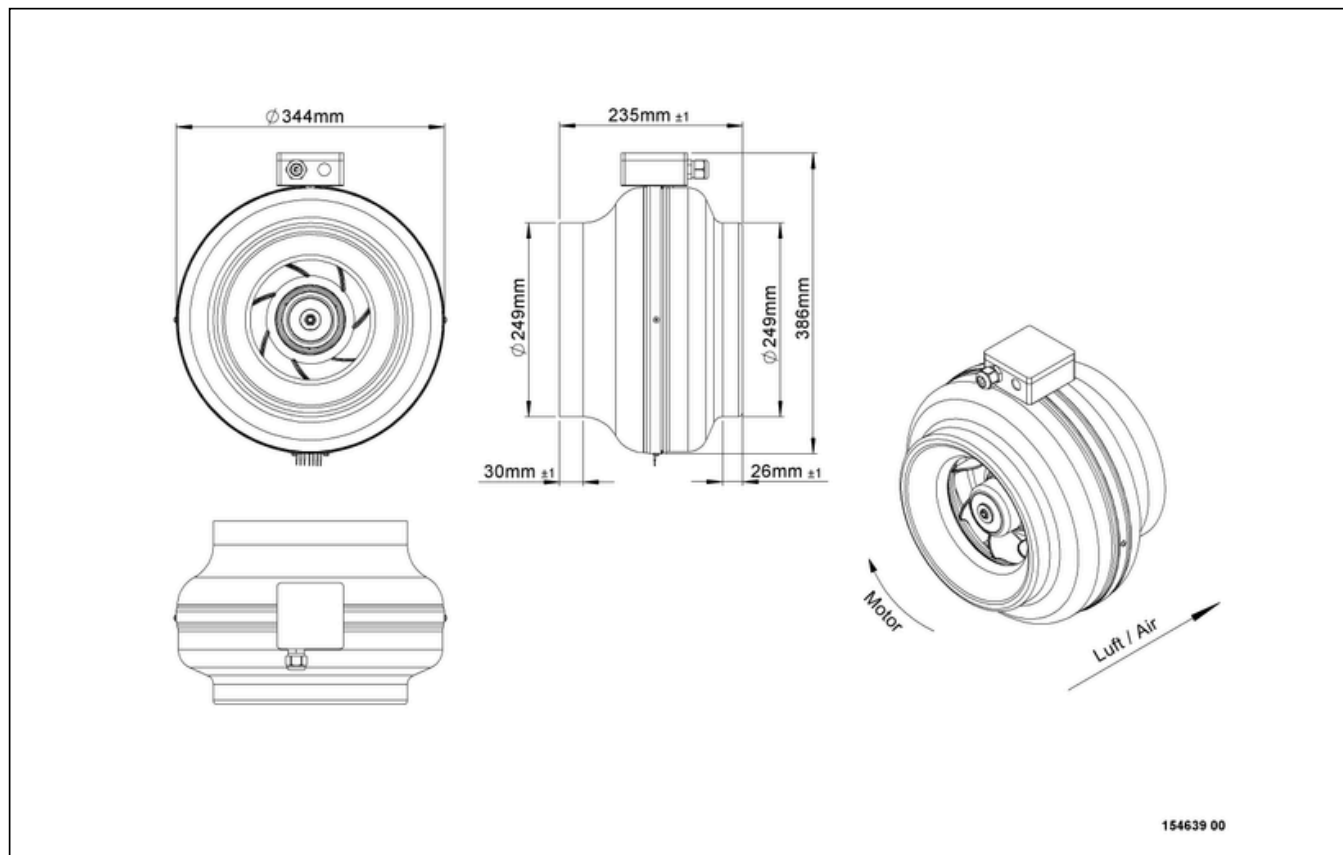


to the product detail page

RS 250 EC K 01

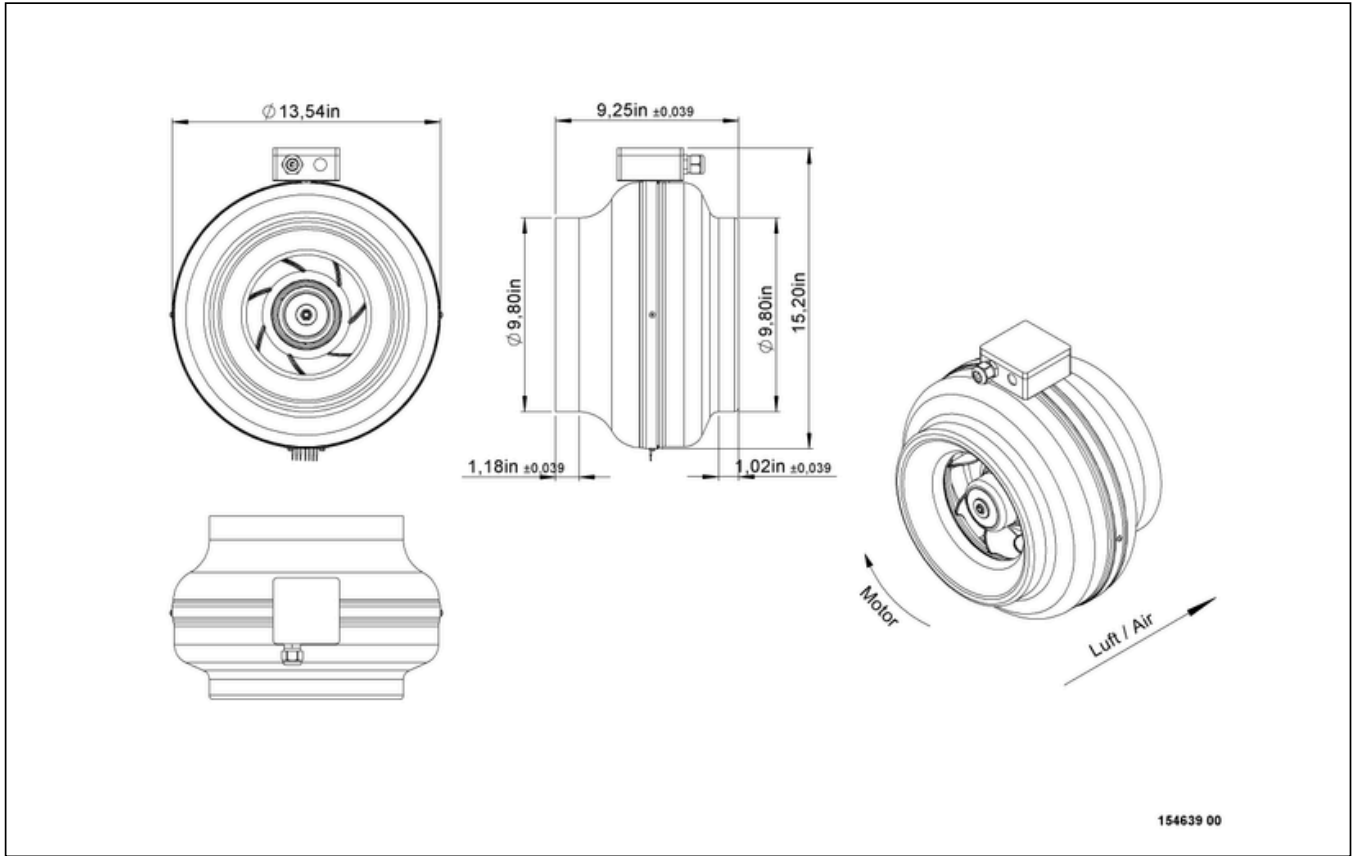
154639

CIRCUIT DIAGRAMS / DIMENSIONAL DRAWINGS



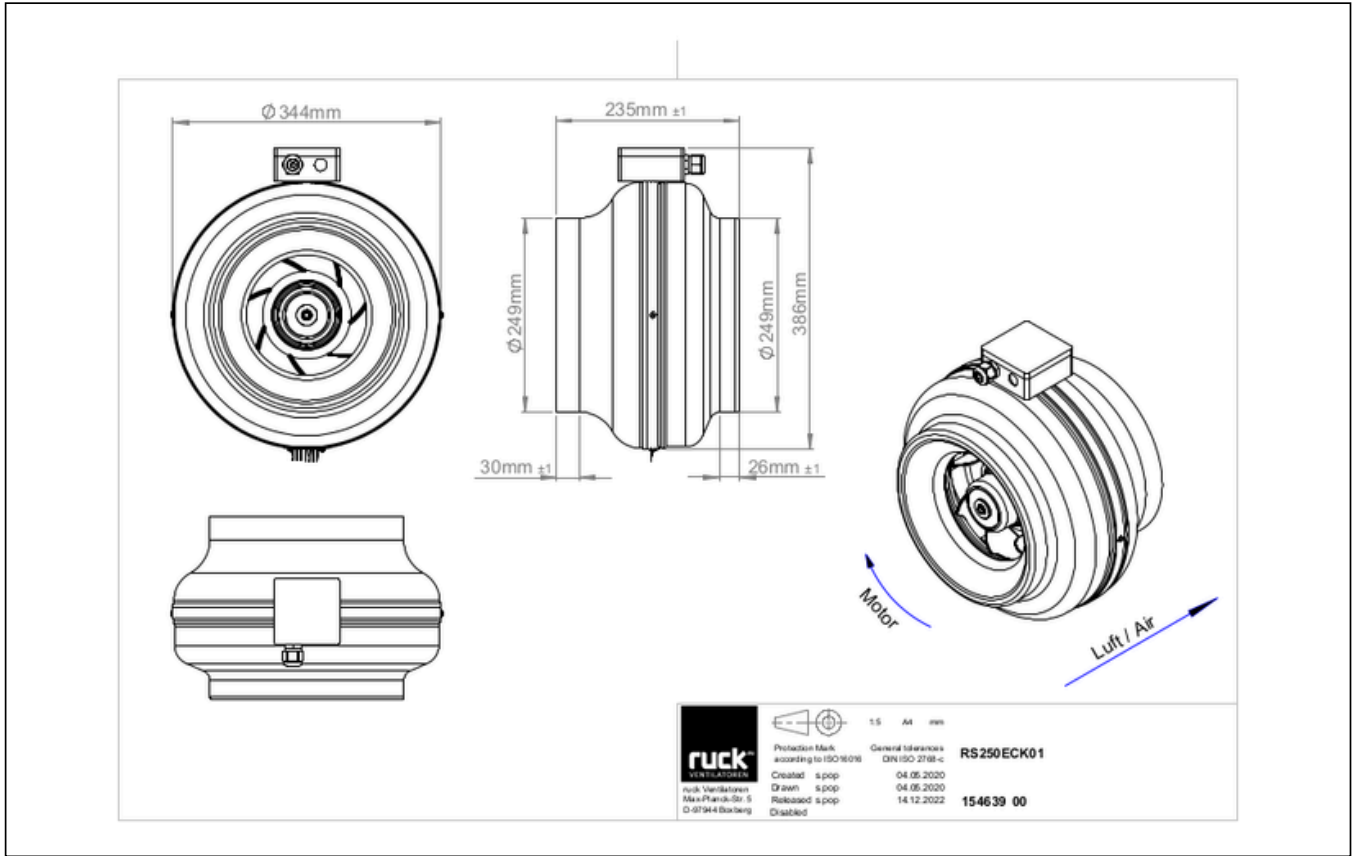
RS 250 EC K 01

154639



RS 250 EC K 01

154639

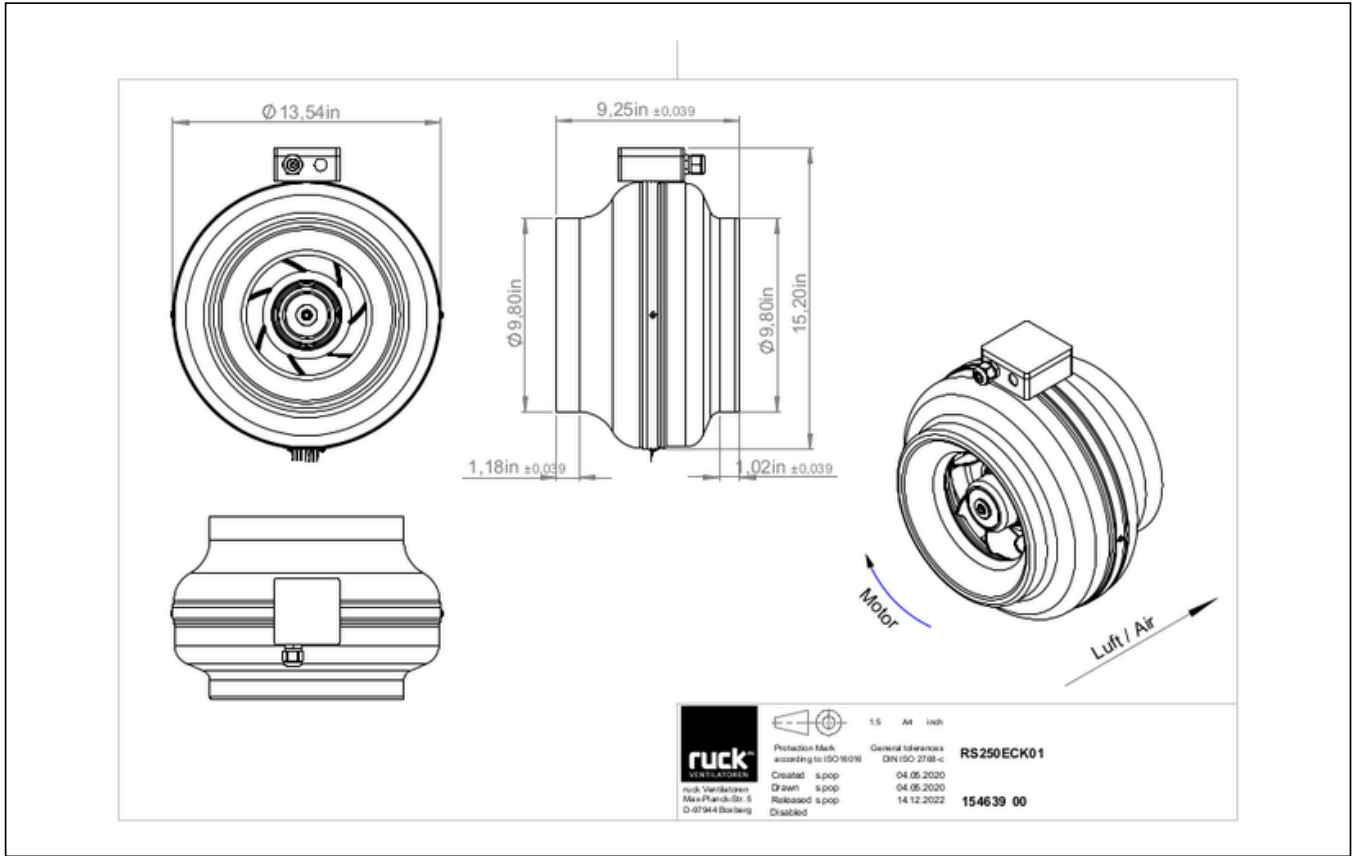


to the product detail page

RS 250 EC K 01

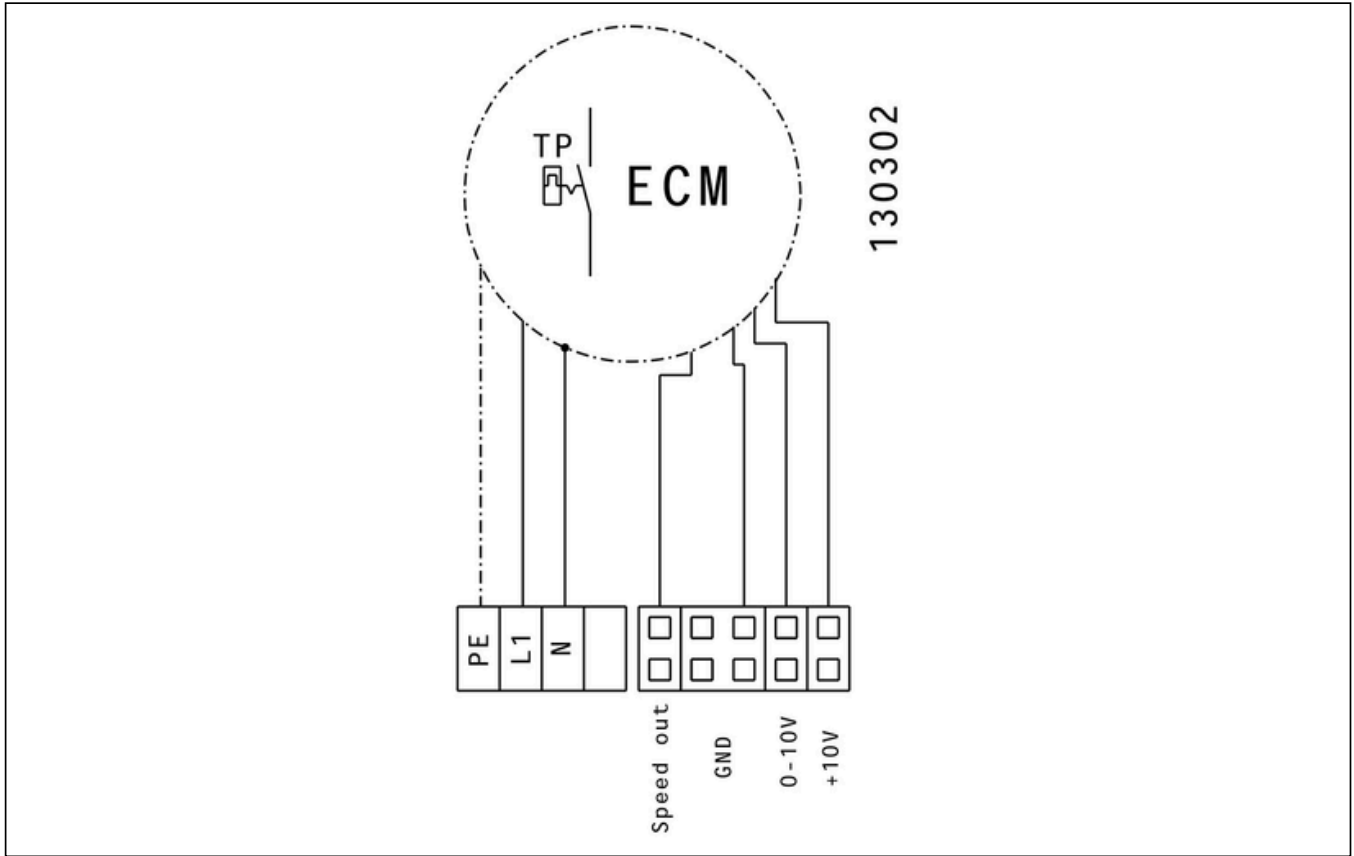
154639

ruck



RS 250 EC K 01

154639



MECHANICAL ACCESSORIES

VM 250 | 102651



- Fast clamps for sound decoupling and sealing
- Galvanized steel sheet, 5 mm Neopren gasket
- 1 Pack = 2 pieces

RSK 250 | 102686



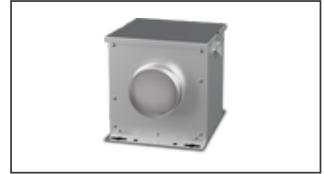
- Back draught shutter for tube fitting
- Galvanized steel sheet housing
- Aluminum flaps

MRS 2 | 110095



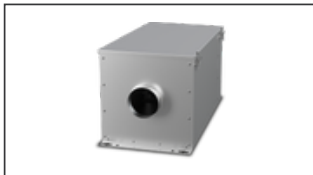
- Mounting bracket
- Galvanized steel sheet
- Includes: Mounting bracket and 2 Phillips screws (6 x 45 mm), 2 dowels (8 x 40 mm)

FV 250 | 112833



- Air filter box with mat filter ISO Coarse 45 % (G3)
- Toggle-type fastener

FT 250 | 112845



- Air filter box for pocket filter
- Toggle-type fastener
- Galvanized steel sheet housing
- Without filter

FTW 250 | 112854



- Air filter box with pocket filter M5
- Integrated warm water heating coil
- Galvanized steel sheet housing
- Toggle-type fastener

RSK 250D | 113488



- Back draught shutter for tube fitting
- Galvanized steel sheet housing
- Aluminum flaps
- Integrated gasket

KWR 250 01 | 124065



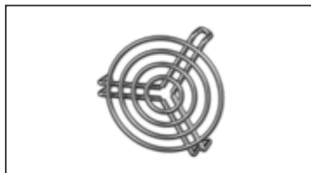
- Cold water cooler, uninsulated
- Version right
- Connection ND 250
- Galvanized steel sheet with condensate tray

KWR 250 02 | 124066



- Cold water cooler, uninsulated
- Version left
- Connection ND 250
- Galvanized steel sheet with condensate tray

SG 250 01 | 169588



- Protection grille for tube connection
- Galvanized wire

SDF 250 | 169644



- Flexible tube silencer
- Galvanized steel sheet
- Sound insulation packing 50 mm

SDS 250 | 169607



- Rigid tube silencer
- Galvanized steel sheet
- Sound insulation packing 50 mm (mineral wool)



ELECTRICAL ACCESSORIES

GS 03 | 107633



- Device switch
- $U_{max} = 400\text{ V}$, $I_{max} = 25\text{ A}$
- Switching capacity $400\text{ V } 3\text{-} = 7,5\text{ kW}$
- Protection class IP 55

CON P1000 | 115259



- Constant pressure control
- Actual value display possible via optional control unit
- Output 0-10 V DC + FC enable + setpoint reached
- Pressure setting by means of decade switch

MTP 20 | 128146



- Potentiometer 10 k Ω
- Switching contact 1A/250V AC - 2,5A/12V DC
- Max. ambient temperature 50 °C
- VDE

MTP 30 | 143289



- Stepped potentiometer 10 k Ω
- Step 1 + 2 settable 10 % - 100 % Vdc
- Step 3 100 % Vdc
- Supply voltage +10 Vdc

MTP 40 | 147359



- Potentiometer 10 k Ω
- Connection in terminal box
- Max. ambient temperature 50 °C
- PU: 20 pieces

SEN AIR | 148641



- Airflow and temperature transducer
- Measuring range temperature 0...+50 °C
- With adjustable switching threshold (air speed)
- Measuring range air velocity up to 20 m/s

MTP 50 | 168752



- Potentiometer with multifunction output
- 230 VAC $\pm 10\%$ / 50-60 Hz
- Selectable output: 1-10 VDC / 2-20 mA / 10-100 % PWM
- Min. and max. output value adjustable

