

# RS 160 EC K 01

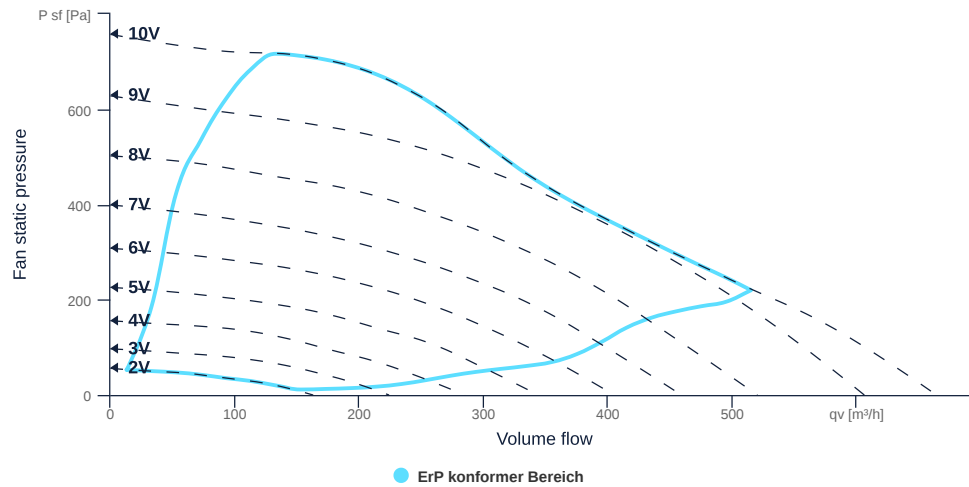
154640

- Compact centrifugal fan
- Backward curved impeller
- Sheet steel housing, RAL 7035, powder coated
- High efficiency EC motor, steplessly controllable
- Conveying medium temperature up to 50 °C in continuous operation
- Internal electronic temperature monitoring



## FAN CURVES

Name	Value	Unit
Volume flow	0	m³/h
Pressure	0	Pa



to the product detail page

# RS 160 EC K 01

154640

ruck

## GENERAL DATA

Name	Value	Unit	Formula symbol
Labeling	CE, UKCA		
Duct size	-		WxH <sub>duct</sub>
Pipe connection size (DN)	DN160		DN
Rated voltage (entire device)	230	V	U <sub>rated</sub>
Phases (entire device)	1~		phase
Electrical protection (entire device)	6 A		fuse
Housing material	Steel		mat <sub>casing</sub>
Impeller material	Plastic		mat <sub>impeller</sub>
Weight	2.92	kg	m
Nominal air flow rate, nominal point m <sup>3</sup> /h	316.8	m <sup>3</sup> /h	q <sub>v,nom</sub>
Nominal external pressure, static	459.7	Pa	p <sub>s,nom</sub>
Fan type	Radial		Fan <sub>type</sub>
Category / Installation situation	B		cat

## ERP DATA (LOT 6)

Name	Value	Unit	Formula symbol
Nominal air flow rate, nominal point m <sup>3</sup> /s	0.09	m <sup>3</sup> /s	q <sub>v,nom</sub>
Actual electrical input power, nominal point	0.1	kW	P <sub>e,nom</sub>
Face velocity, nominal point	4.4	m/s	v <sub>nom</sub>
Nominal external pressure, static	459.7	Pa	p <sub>s,nom</sub>
supply air fan static efficiency, nominal point	44.5	%	η <sub>es,SUP</sub>
Highest external air leakage rate	1	%	
Enclosure sound level, nominal point	65	dB(A)	L <sub>WA2</sub>
Rating	Product is compliant 2018		

## MAXIMAL DATA

Name	Value		Unit	Formula symbol
	50 Hz	60 Hz		
Max. power consumption (device)	113	113	W	P <sub>ed,max</sub>
Max. operating current (device)	0.98	0.98	A	I <sub>ed,max</sub>
Max. speed	3970	3970	1/min	n <sub>max</sub>
Max. stat. efficiency	38.5	38.5	%	η <sub>es</sub>
Max. fan efficiency	39.4	39.4	%	η <sub>e</sub>
Max. flowrate	660	660	m <sup>3</sup> /h	q <sub>v,max</sub>
Max. stat pressure	760	760	Pa	p <sub>st,max</sub>
Max. medium temperature	50	50	°C	T <sub>m,max</sub>
Max. environment temperature	50	50	°C	T <sub>amb,max</sub>
Min. environment temperature	-20	-20	°C	T <sub>amb,min</sub>



to the product detail page

# RS 160 EC K 01

154640

ruck

## MOTOR DATA

Name	Value		Unit	Formula symbol
	50 Hz	60 Hz		
Rated frequency (device)		50		f
Motor type		EC		phase
Control type		stepless-controlled		ctrltype
Installation type		ORM (Out)		install
Rotation direction		right		rotation
Isolation class		ISO F		ISOclass
Motor-protection		TEC		protectmotor
Protection class		IP54		IPmotor
Is pole-changeable		No		polexch
Type of power supply		AC 1~		pwrsupmotor
Min. temperature	-30		°C	Tmotor, min
Cos Phi	0.560000	0.000000		cos φ
UL-Certification motor		None		ULcert

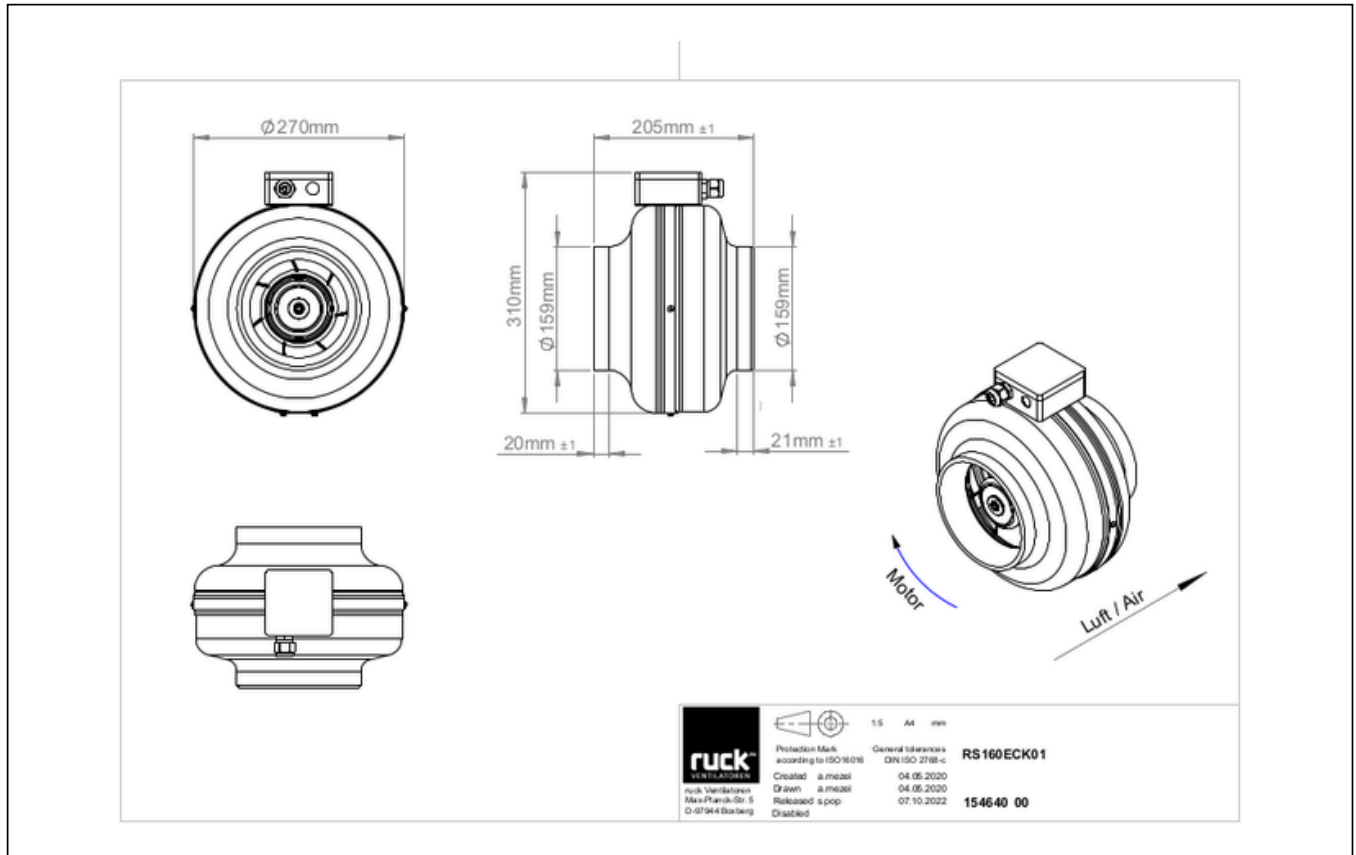


to the product detail page

# RS 160 EC K 01

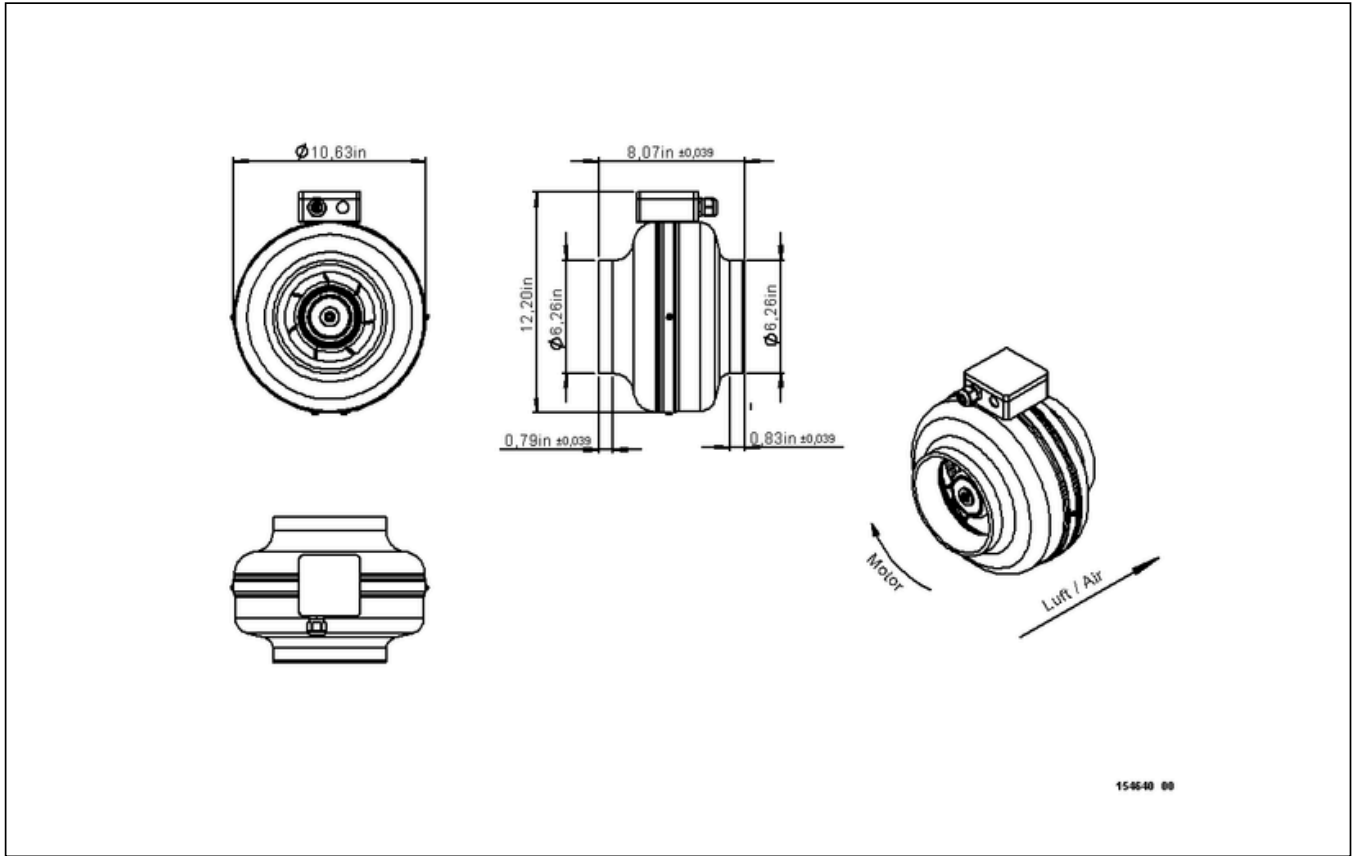
154640

## CIRCUIT DIAGRAMS / DIMENSIONAL DRAWINGS



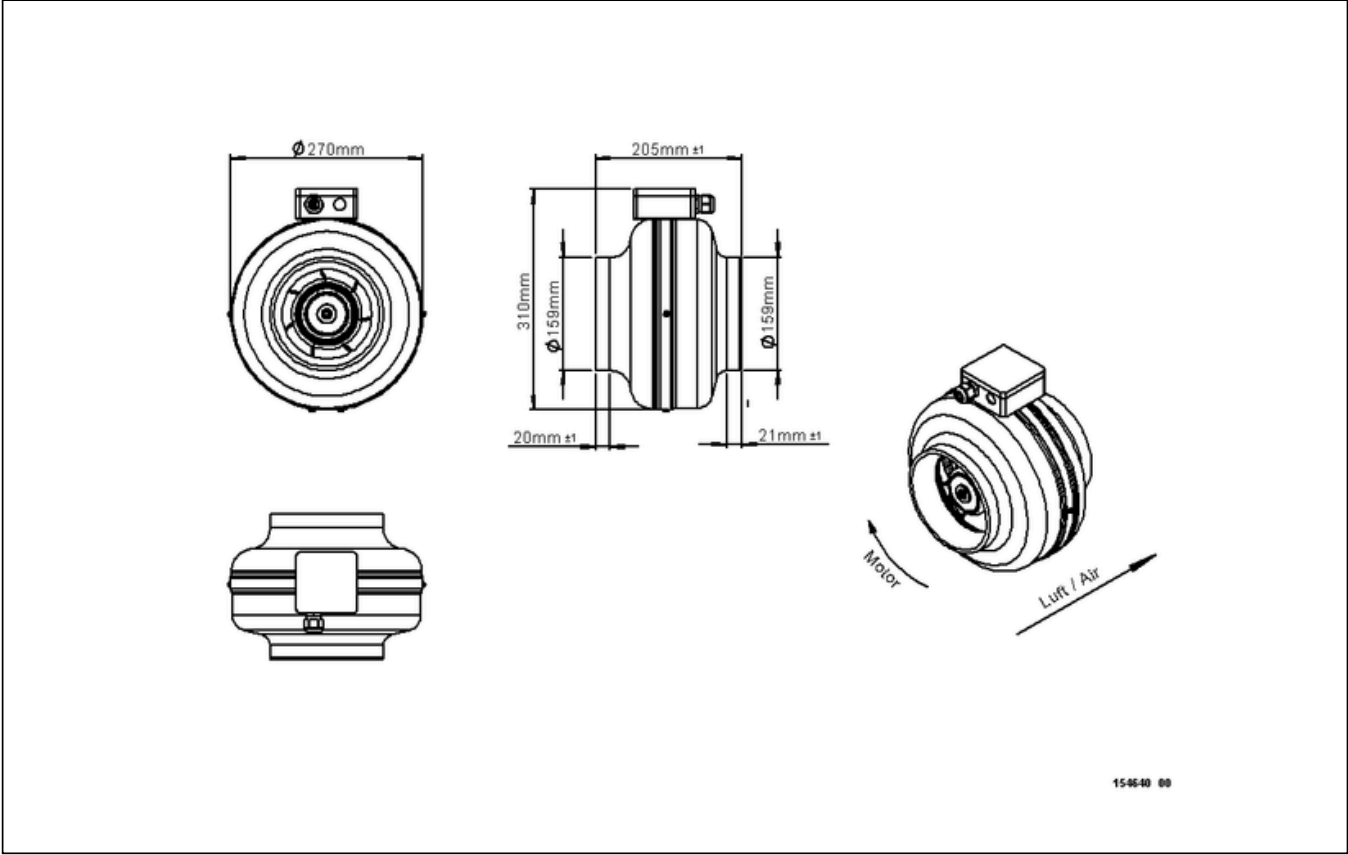
# RS 160 EC K 01

154640



# RS 160 EC K 01

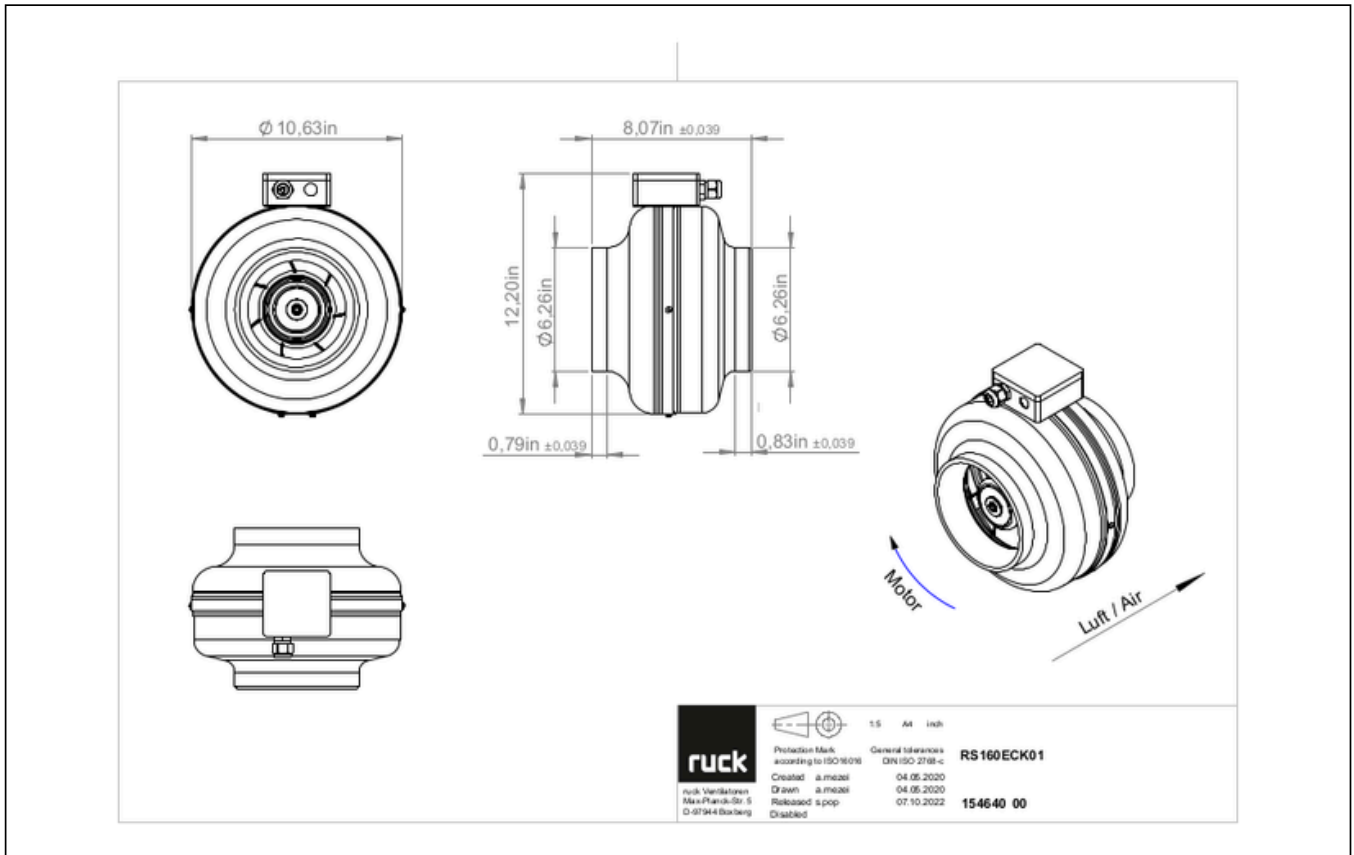
154640



# RS 160 EC K 01

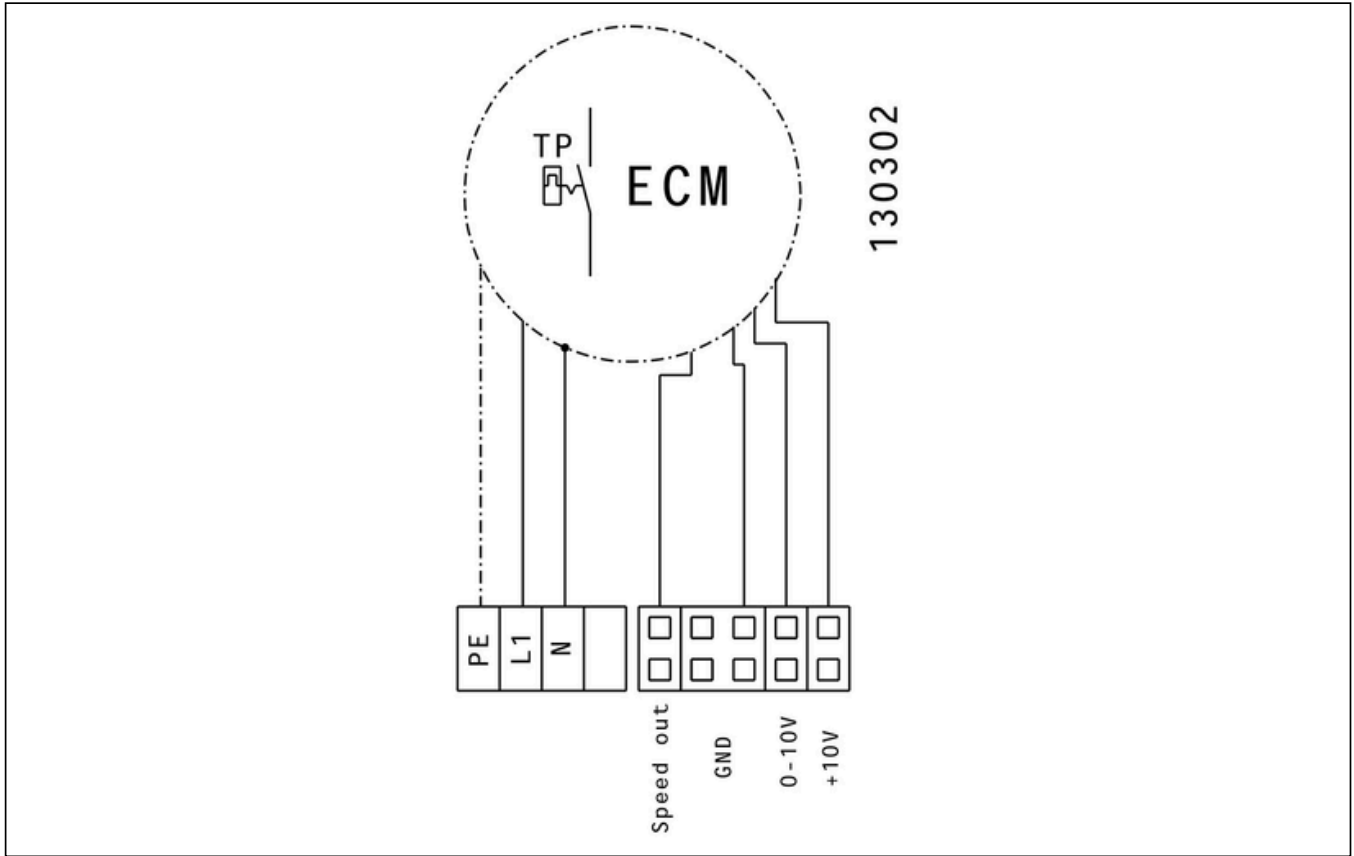
154640

**ruck**



# RS 160 EC K 01

154640





# RS 160 EC K 01

154640

## MECHANICAL ACCESSORIES

VM 160 | 102649



- Fast clamps for sound decoupling and sealing
- Galvanized steel sheet, 5 mm Neopren gasket
- 1 Pack = 2 pieces

RSK 160 | 102661



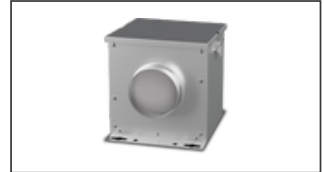
- Back draught shutter for tube fitting
- Galvanized steel sheet housing
- Aluminum flaps

MRS 2 | 110095



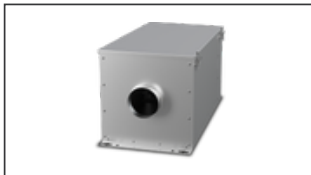
- Mounting bracket
- Galvanized steel sheet
- Includes: Mounting bracket and 2 Phillips screws (6 x 45 mm), 2 dowels (8 x 40 mm)

FV 160 | 112831



- Air filter box with mat filter ISO Coarse 45 % (G3)
- Toggle-type fastener

FT 160 | 112841



- Air filter box for pocket filter
- Toggle-type fastener
- Galvanized steel sheet housing
- Without filter

FTW 160 | 112852



- Air filter box with pocket filter M5
- Integrated warm water heating coil
- Galvanized steel sheet housing
- Toggle-type fastener

RSK 160D | 113485



- Back draught shutter for tube fitting
- Galvanized steel sheet housing
- Aluminum flaps
- Integrated gasket

SG 160 01 | 169591



- Protection grille for tube connection
- Galvanized wire

SDS 160 | 169605



- Rigid tube silencer
- Galvanized steel sheet
- Sound insulation packing 50 mm (mineral wool)

SDF 160 | 169642



- Flexible tube silencer
- Galvanized steel sheet
- Sound insulation packing 50 mm



to the product detail page

## ELECTRICAL ACCESSORIES

GS 03 | 107633



- Device switch
- $U_{max} = 400\text{ V}$ ,  $I_{max} = 25\text{ A}$
- Switching capacity  $400\text{ V } 3\sim = 7,5\text{ kW}$
- Protection class IP 55

CON P1000 | 115259



- Constant pressure control
- Actual value display possible via optional control unit
- Output 0-10 V DC + FC enable + setpoint reached
- Pressure setting by means of decade switch

MTP 20 | 128146



- Potentiometer 10 k $\Omega$
- Switching contact 1A/250V AC - 2,5A/12V DC
- Max. ambient temperature 50 °C
- VDE

MTP 30 | 143289



- Stepped potentiometer 10 k $\Omega$
- Step 1 + 2 settable 10 % - 100 % Vdc
- Step 3 100 % Vdc
- Supply voltage +10 Vdc

MTP 40 | 147359



- Potentiometer 10 k $\Omega$
- Connection in terminal box
- Max. ambient temperature 50 °C
- PU: 20 pieces

SEN AIR | 148641



- Airflow and temperature transducer
- Measuring range temperature 0...+50 °C
- With adjustable switching threshold (air speed)
- Measuring range air velocity up to 20 m/s

MTP 50 | 168752



- Potentiometer with multifunction output
- 230 VAC  $\pm 10\%$  / 50-60 Hz
- Selectable output: 1-10 VDC / 2-20 mA / 10-100 % PWM
- Min. and max. output value adjustable

