

AL 900 D4 01

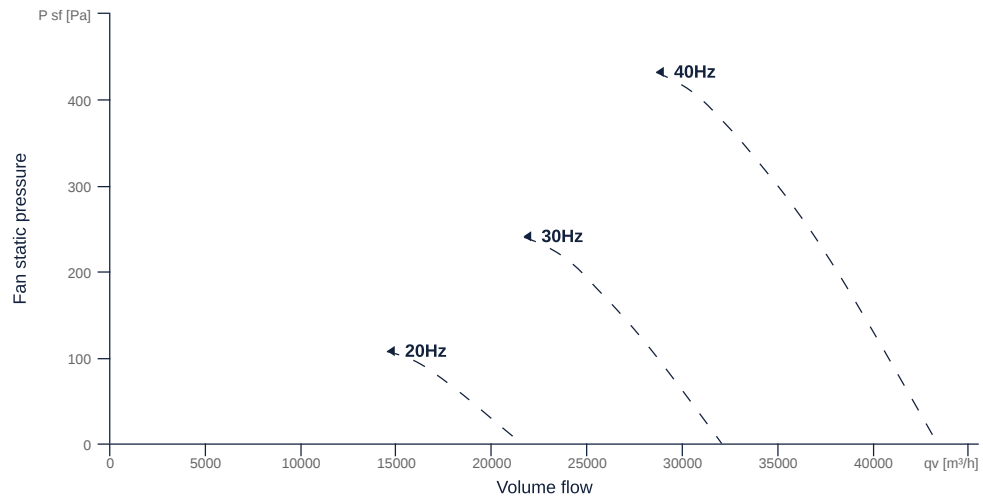
162688

- Innovative, high-efficiency axial fan
- Optimally tuned, CFD-optimized aerodynamics
- Housing weight optimized, powder coated
- Efficient IE3 motor, frequency controllable
- Conveyed medium temperature up to 60 °C in continuous operation
- Exceeds current ErP regulation by 15 - 20%
- Frequency converter must be used



FAN CURVES

Name	Value	Unit
Volume flow	0	m³/h
Pressure	0	Pa



to the product detail page

AL 900 D4 01

162688

ruck

GENERAL DATA

Name	Value	Unit	Formula symbol
Labeling	CE, UKCA		
Duct size	-		$W \times H_{\text{duct}}$
Pipe connection size (DN)	DN900		DN
Rated voltage (entire device)	400	V	U_{rated}
Phases (entire device)	3~		phase
Electrical protection (entire device)	16 A		fuse
Housing material	Coated steel		matcasing
Impeller material	Coated steel		matimpeller
IP-protection class (entire device)	IPX4		IP_{compl}
IP-Protection class (terminal box)	IP55		IP_{ebox}
Weight	158.2	kg	m
Fan type	Axial		Fan _{type}
Category / Installation situation	B		cat

MAXIMAL DATA

Name	Value	Unit	Formula symbol
Max. power consumption (device)	6500	W	$P_{\text{ed, max}}$
Max. operating current (device)	14.9	A	$I_{\text{ed, max}}$
Max. speed	1170	1/min	n_{max}
Max. stat. efficiency	50.2	%	η_{es}
Max. fan efficiency	65.3	%	η_{e}
Max. flowrate	43340	m ³ /h	$q_{\text{v, max}}$
Max. stat pressure	440	Pa	$p_{\text{sf, max}}$
Max. medium temperature	60	°C	$T_{\text{m, max}}$
Max. environment temperature	60	°C	$T_{\text{amb, max}}$
Min. environment temperature	-20	°C	$T_{\text{amb, min}}$



to the product detail page

MOTOR DATA

Name	Value		Unit	Formula symbol
	50 Hz	60 Hz		
Rated frequency (device)		50		f
Motor type		AC 3~		phase
Control type		frequency-controlled		ctrltype
Installation type		IRM (In)		install
Isolation class		ISO F		ISOclass
Protection class		IP55		IPmotor
Is pole-changeable		No		polexch
Type of power supply		AC 3~		pwrSUPmotor
Number of poles (1)		4.000000		num polesw1
Connection	Δ			wiringw1
Connection (wiring 2)	Y			wiringw2
Rated voltage	400		V	U _{rated, f1}
Rated voltage (wiring 2)	690		V	U _{rated, f2}
Rated current	10.3		A	I _{rated, f1}
Rated current (wiring 2)	5.97		A	I _{rated, f2}
Shaft power	5500		W	P _{out, f1}
Shaft power (wiring 2)	5500		W	P _{out, f2}
Speed	1465		1/min	n _{f1}
Speed (wiring 2)	1465		1/min	n _{f2}
Starting current	87.5		A	I _{start, f1}
Starting current (wiring 2)	50.8		A	I _{start, f2}
Efficiency	90.7		%	η _{m, f1}
Efficiency (wiring 2)	90.7		%	η _{m, f2}
Efficiency class	IE3			IE _{motor}
Min. temperature	-20		°C	T _{motor, min}
Cos Phi	0.850000	0.000000		cos φ
UL-Certification motor		UL recognized		ULcert

ERP DATA (LOT11)

Name	Value	Unit	Formula symbol
Speed at the energy efficiency optimum	1152	1/min	n _{opt}
Efficiency level	68.5	%	N
Efficiency category	total		cat _{efficiency}
Input power of the motor at the energy efficiency optimum	6.52	kW	P _{e, opt}
Overall efficiency	69.7	%	η _{ges}
Measurement category	B		meas cat
Fan pressure at energy efficiency optimum	445	Pa	p _{f, opt}
Flowrate at energy efficiency optimum	34759	m³/h	Q _{v, opt}

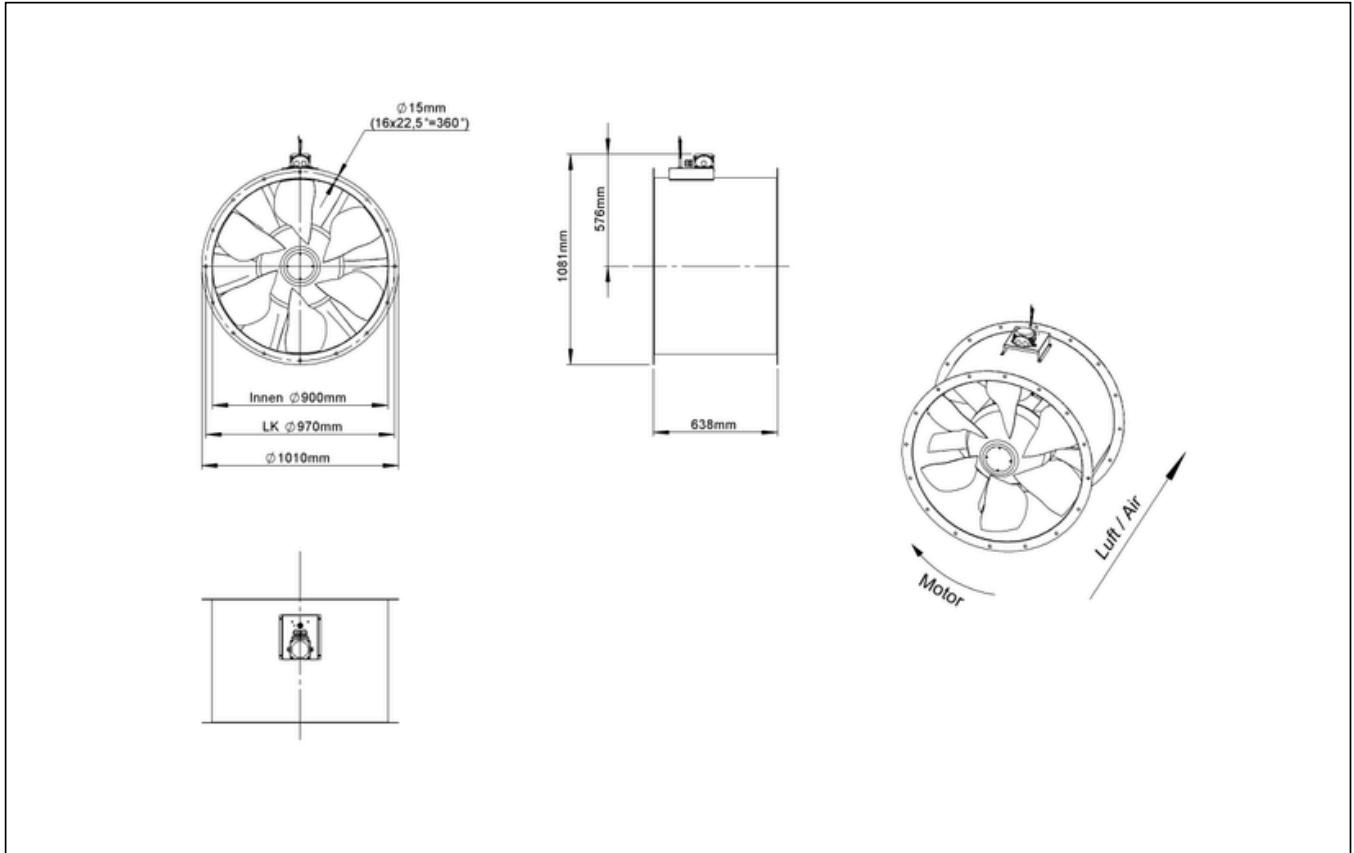


to the product detail page

AL 900 D4 01

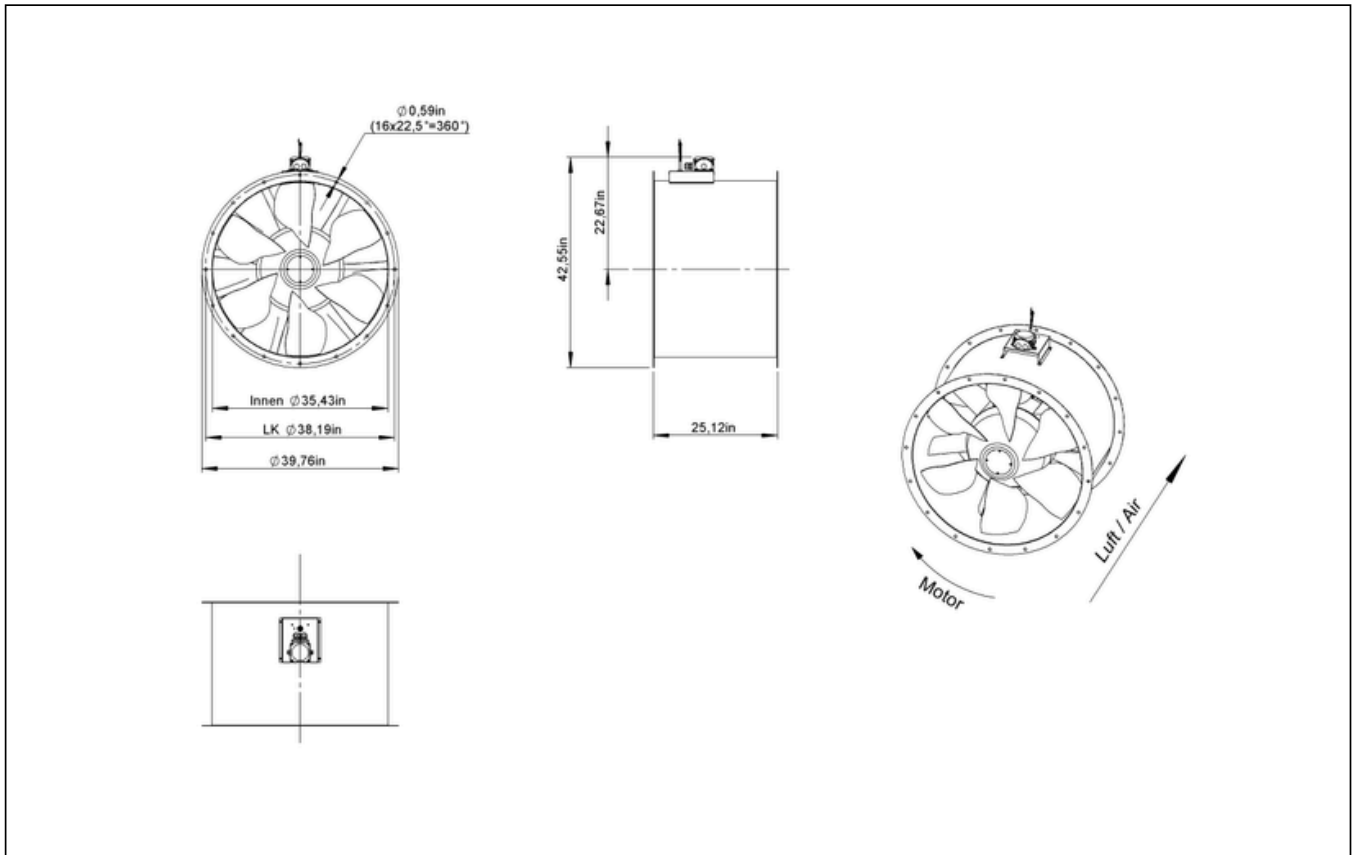
162688

CIRCUIT DIAGRAMS / DIMENSIONAL DRAWINGS



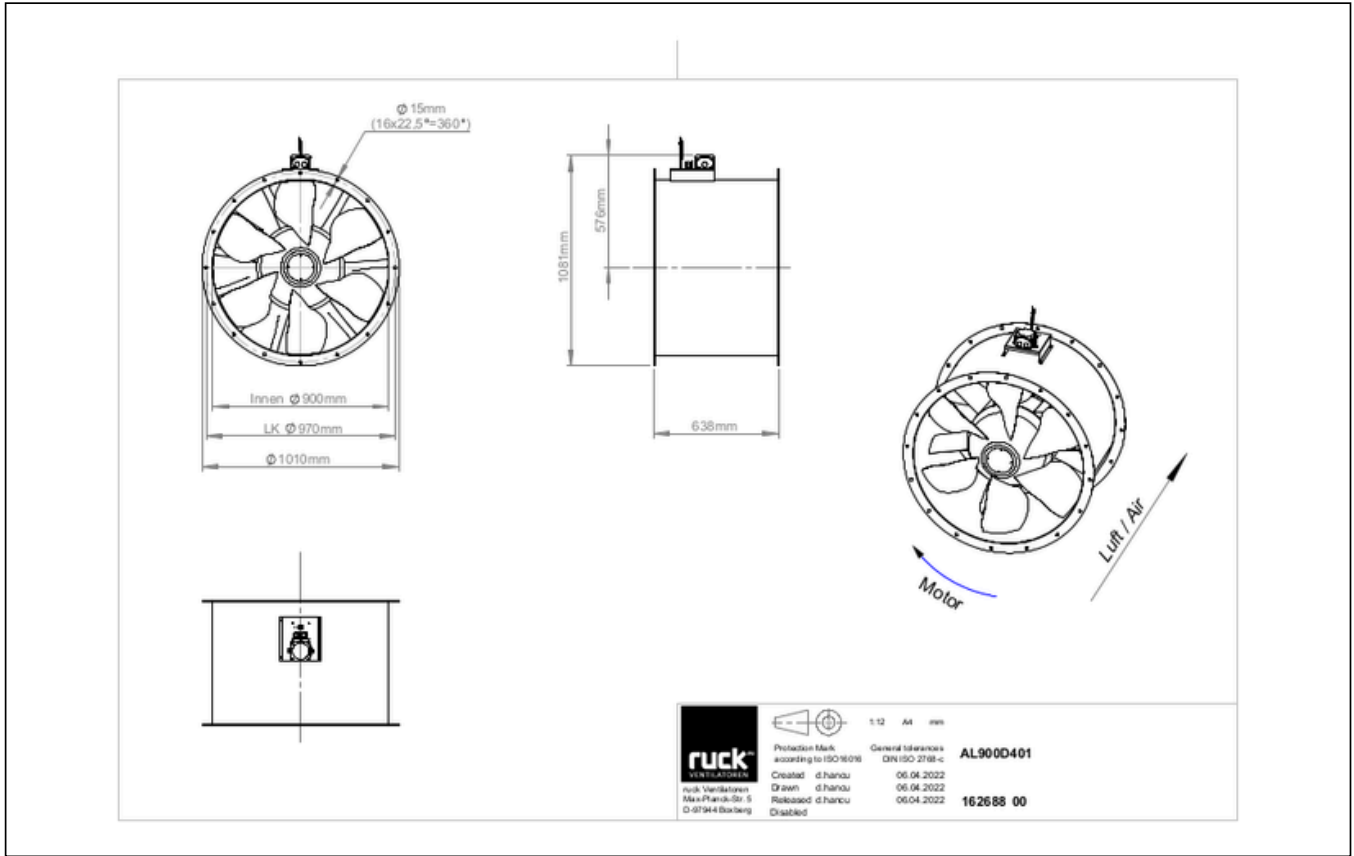
AL 900 D4 01

162688



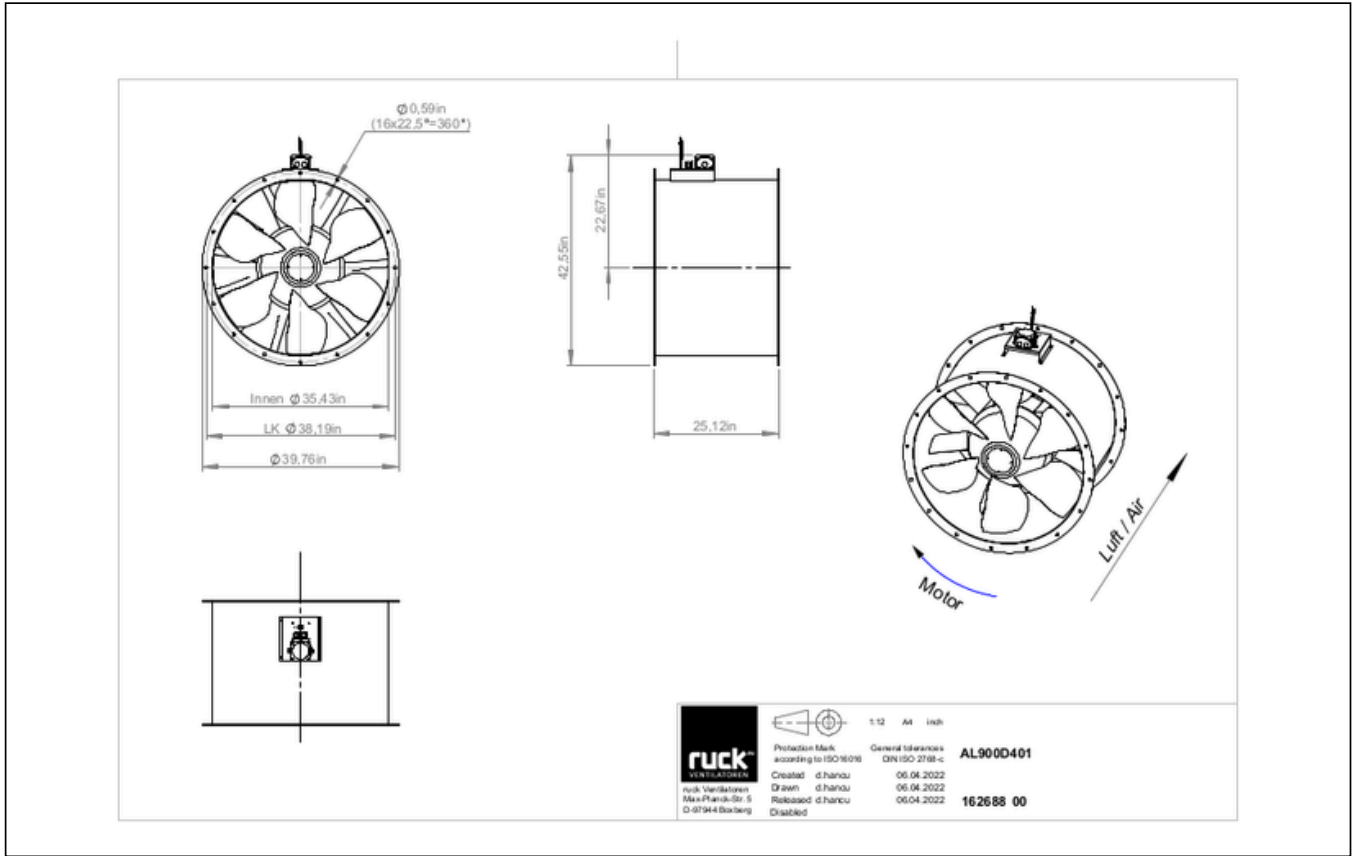
AL 900 D4 01

162688



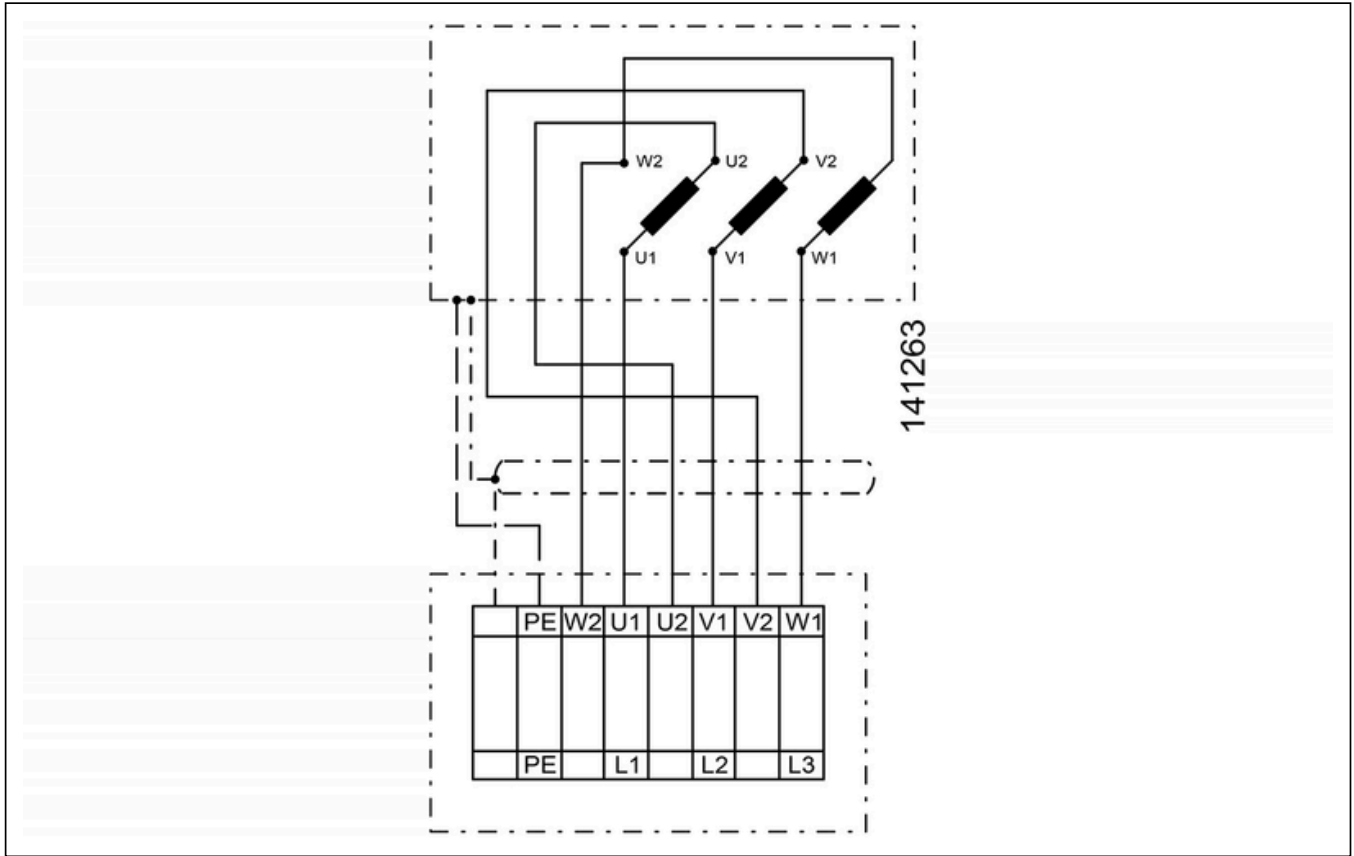
AL 900 D4 01

162688



AL 900 D4 01

162688



to the product detail page

AL 900 D4 01

162688

MECHANICAL ACCESSORIES

RVK 900 | 157755



- Automatic tube shutter
- Sheet steel, powder coated
- For vertical installation
- Flange mounting

RAF 900 | 157406



- Round flange
- Sheet steel, powder coated

RVS 900-01 | 157479



- Tube connection spigot
- Sheet steel, powder coated
- Suitable for outdoor installation
- Flange mounting

RAS 900 | 157616



- Round spigot, flexible
- Galvanized steel sheet, plastic band (PES)
- Temperature resistant up to 75 °C
- Flange mounting

ESD 900 | 157543



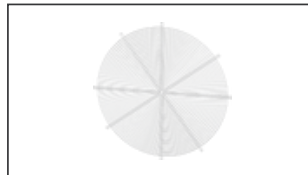
- Inlet cone
- Steel sheet, powder coated
- Flange mounting

FAL 900 | 157898



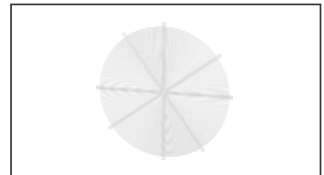
- Mounting foot
- Sheet steel, powder coated
- Flange mounting

SGW 900 | 159541



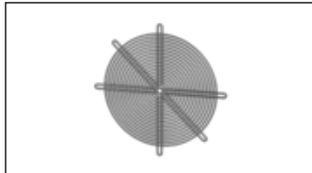
- Protection grille, wide meshed
- Steel sheet, galvanized
- Flange mounting

SGW 1000 | 159542



- Protection grille, wide meshed
- Steel sheet, galvanized
- Flange mounting

SGE 900 | 159517



- Protection grille, narrow meshed
- Steel sheet, galvanized
- Flange mounting

FSD 08 | 162473



- Set of 4 vibration dampers
- Made of natural rubber, hardness 55 Shore A

FSD10 | 162484



- Set of 4 vibration dampers
- All metal design, galvanized

RVK H 900 | 159463



- Automatic tube shutter
- Sheet steel, powder coated
- For horizontal installation
- Flange mounting

MR 900 | 166015



- Mounting ring
- For vertical mounting
- Powder-coated sheet steel
- Flange mounting DN 900



to the product detail page

AL 900 D4 01

162688

ELECTRICAL ACCESSORIES

MS 05 | 160183



- Motor protection switch with device switch function
- For three phase motors
- I_{max} = 6.3 A
- Protection class IP 55

MTP 20 | 128146



- Potentiometer 10 kΩ
- Switching contact 1A/250V AC - 2,5A/12V DC
- Max. ambient temperature 50 °C
- VDE

MTP 30 | 143289



- Stepped potentiometer 10 kΩ
- Step 1 + 2 settable 10 % - 100 % Vdc
- Step 3 100 % Vdc
- Supply voltage +10 Vdc

SEN AIR | 148641



- Airflow and temperature transducer
- Measuring range temperature 0...+50 °C
- With adjustable switching threshold (air speed)
- Measuring range air velocity up to 20 m/s

CON P1000 | 115259



- Constant pressure control
- Actual value display possible via optional control unit
- Output 0-10 V DC + FC enable + setpoint reached
- Pressure setting by means of decade switch

FU 55 28 | 161396



- Frequency converter
- Supply voltage 400 V 3~ 50/60 Hz
- Output voltage 0 - 400 V 3~
- Fire mode function (smoke extract fans)

FU 55 27 | 161395



- Frequency converter
- Supply voltage 400 V 3~ 50/60 Hz
- Output voltage 0 - 400 V 3~
- Protection class IP 20, for switch cabinet



to the product detail page