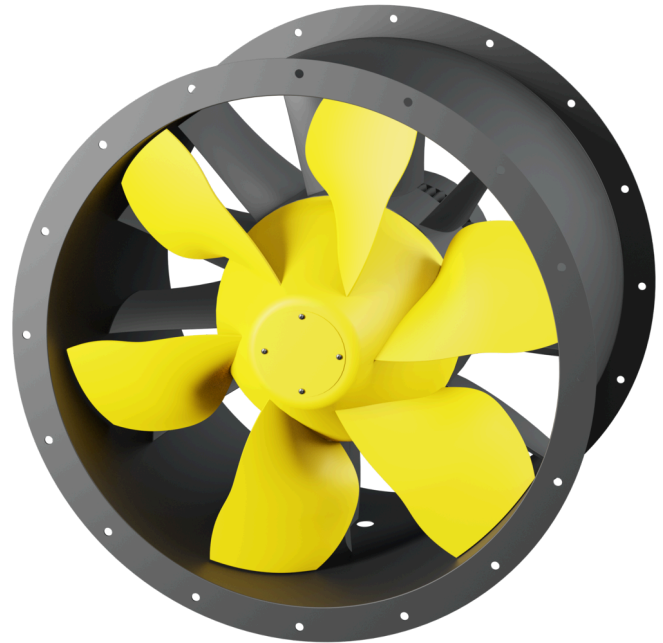


# AL 710 D4 01

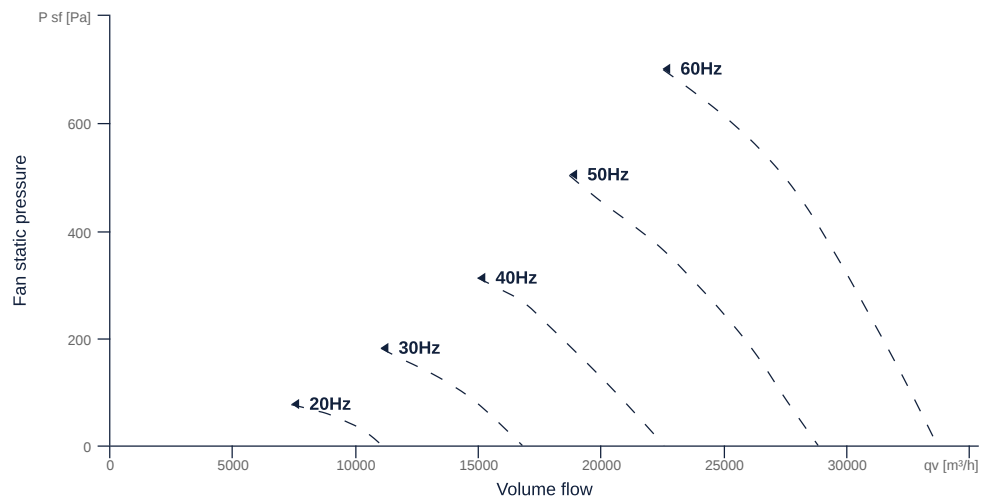
154141

- Innovative, high-efficiency axial fan
- Optimally tuned, CFD-optimized aerodynamics
- Housing weight optimized, powder coated
- Efficient IE3 motor, frequency controllable
- Conveyed medium temperature up to 60 °C in continuous operation
- Exceeds current ErP regulation by 15 - 20%



## FAN CURVES

Name	Value	Unit
Volume flow	0	m³/h
Pressure	0	Pa



to the product detail page

# AL 710 D4 01

154141

ruck

## GENERAL DATA

Name	Value	Unit	Formula symbol
Labeling	CE, UKCA		
Duct size	-		$W \times H_{\text{duct}}$
Pipe connection size (DN)	DN710		DN
Rated voltage (entire device)	400	V	$U_{\text{rated}}$
Phases (entire device)	3~		phase
Electrical protection (entire device)	16 A		fuse
Housing material	Coated steel		matcasing
Impeller material	Coated steel		matimpeller
IP-protection class (entire device)	IPX4		$IP_{\text{compl}}$
IP-Protection class (terminal box)	IP55		$IP_{\text{ebox}}$
Weight	98.5	kg	m
Fan type	Axial		Fan <sub>type</sub>
Category / Installation situation	B		cat

## MAXIMAL DATA

Name	Value	Unit	Formula symbol
Max. power consumption (device)	8500	W	$P_{\text{ed, max}}$
Max. operating current (device)	14	A	$I_{\text{ed, max}}$
Max. speed	1920	1/min	$n_{\text{max}}$
Max. stat. efficiency	57	%	$\eta_{\text{es}}$
Max. fan efficiency	77.3	%	$\eta_{\text{e}}$
Max. flowrate	33665	m <sup>3</sup> /h	$q_{\text{v, max}}$
Max. stat pressure	715	Pa	$p_{\text{sf, max}}$
Max. medium temperature	60	°C	$T_{\text{m, max}}$
Max. environment temperature	60	°C	$T_{\text{amb, max}}$
Min. environment temperature	-20	°C	$T_{\text{amb, min}}$



to the product detail page

## MOTOR DATA

Name	Value		Unit	Formula symbol
	50 Hz	60 Hz		
Rated frequency (device)		50		f
Motor type		AC 3~		phase
Control type		frequency-controlled		ctrltype
Installation type		IRM (In)		install
Rotation direction		right		rotation
Isolation class		ISO F		ISOclass
Protection class		IP55		IPmotor
Is pole-changeable		No		polexch
Type of power supply		AC 3~		pwrsupmotor
Number of poles (1)		4.000000		num polesw1
Connection	$\Delta$	$\Delta$		wiringw1
Connection (wiring 2)	Y			wiringw2
Rated voltage	400	460	V	U <sub>rated, f1</sub>
Rated voltage (wiring 2)	690		V	U <sub>rated, f2</sub>
Rated current	14.2	12.4	A	I <sub>rated, f1</sub>
Rated current (wiring 2)	8.23		A	I <sub>rated, f2</sub>
Shaft power	7500	7500	W	P <sub>out, f1</sub>
Shaft power (wiring 2)	7500		W	P <sub>out, f2</sub>
Speed	1465	1770	1/min	n <sub>f1</sub>
Speed (wiring 2)	1465		1/min	n <sub>f2</sub>
Starting current	121	112	A	I <sub>start, f1</sub>
Starting current (wiring 2)	70		A	I <sub>start, f2</sub>
Efficiency	90.6	91.7	%	$\eta_m, f1$
Efficiency (wiring 2)	90.6		%	$\eta_m, f2$
Efficiency class	IE3	IE3		IE <sub>motor</sub>
Min. temperature	-20	-20	°C	T <sub>motor, min</sub>
Cos Phi	0.840000	0.830000		cos $\varphi$
UL-Certification motor		UL recognized		ULcert



to the product detail page

**ERP DATA (LOT11)**

Name	Value	Unit	Formula symbol
Speed at the energy efficiency optimum	1769	1/min	$n_{opt}$
Efficiency level	76.7	%	N
Efficiency category	total		cat <sub>efficiency</sub>
Input power of the motor at the energy efficiency optimum	7.17	kW	$P_{e, opt}$
Overall efficiency	77.6	%	$\eta_{ges}$
Measurement category	B		meas cat
Fan pressure at energy efficiency optimum	727	Pa	$p_{f, opt}$
Flowrate at energy efficiency optimum	27237	m <sup>3</sup> /h	$Q_{v, opt}$

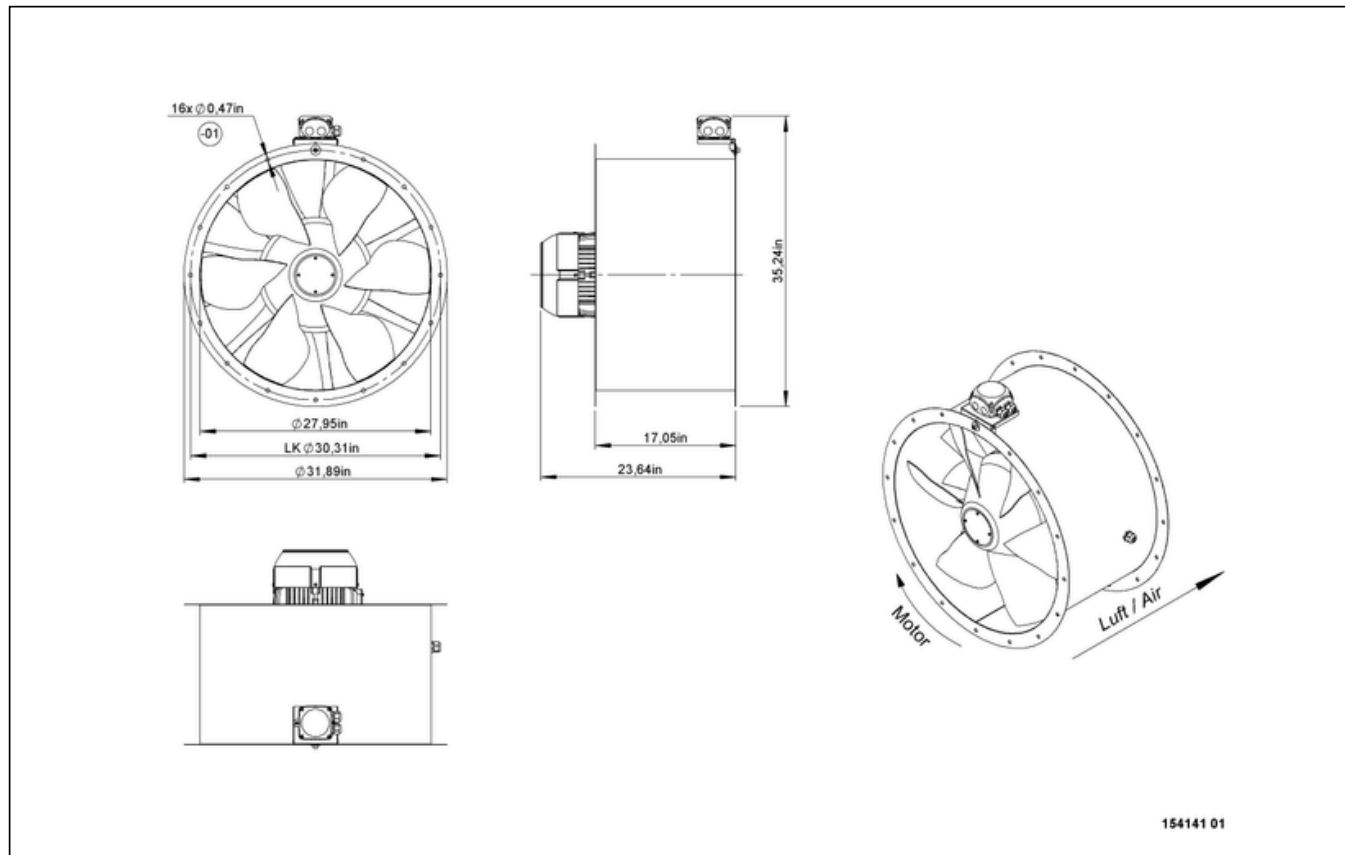


to the product detail page

# AL 710 D4 01

154141

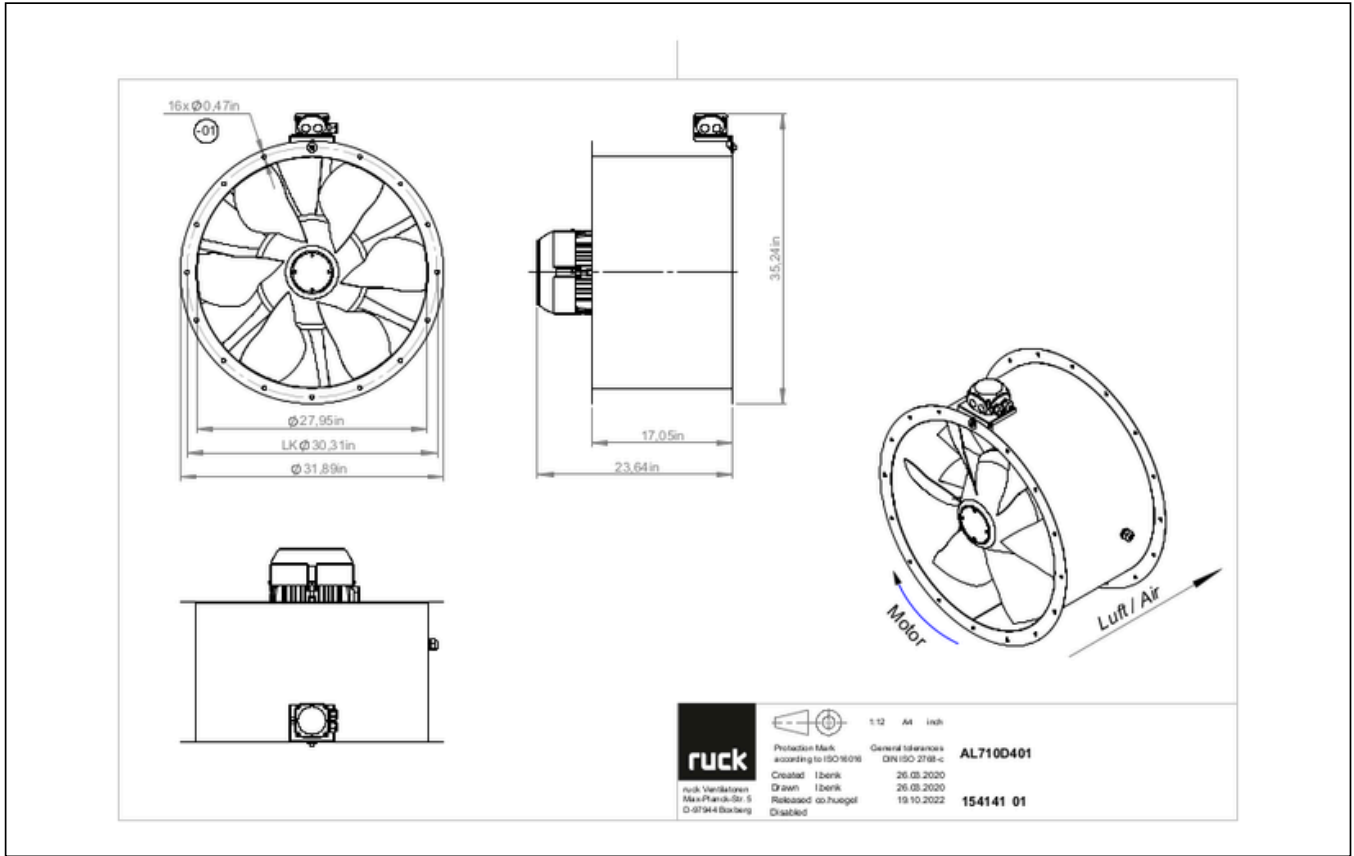
## CIRCUIT DIAGRAMS / DIMENSIONAL DRAWINGS



to the product detail page

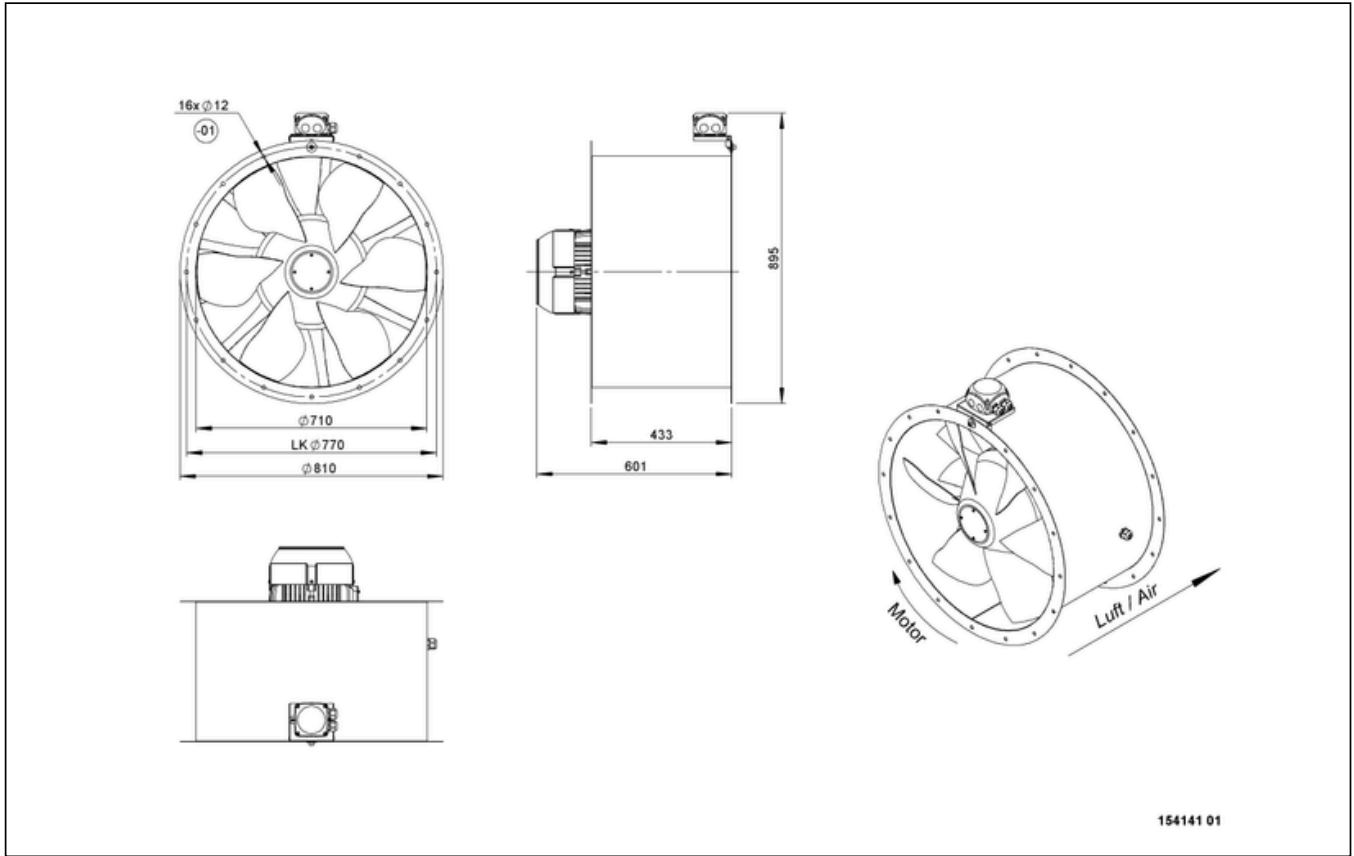
# AL 710 D4 01

154141



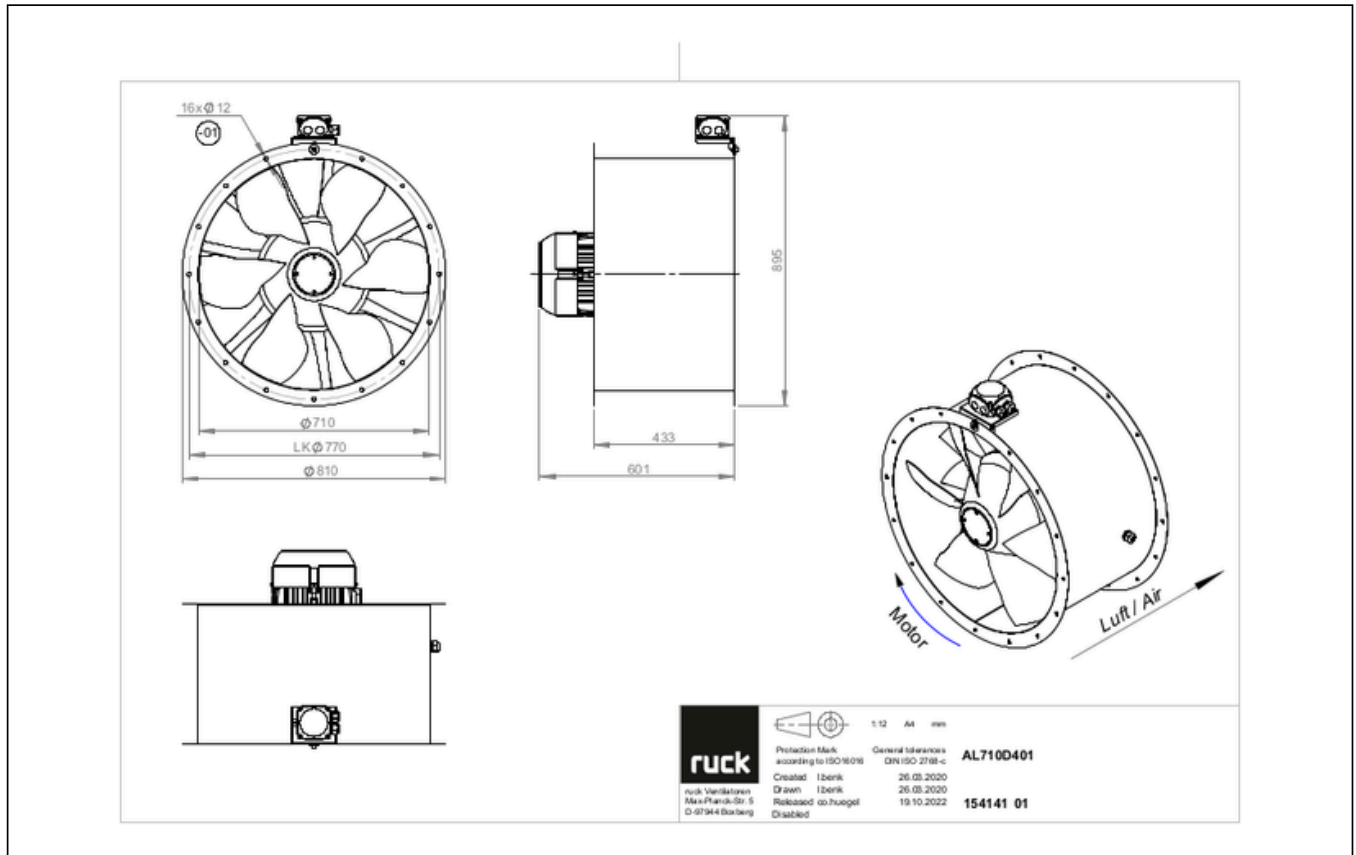
# AL 710 D4 01

154141



# AL 710 D4 01

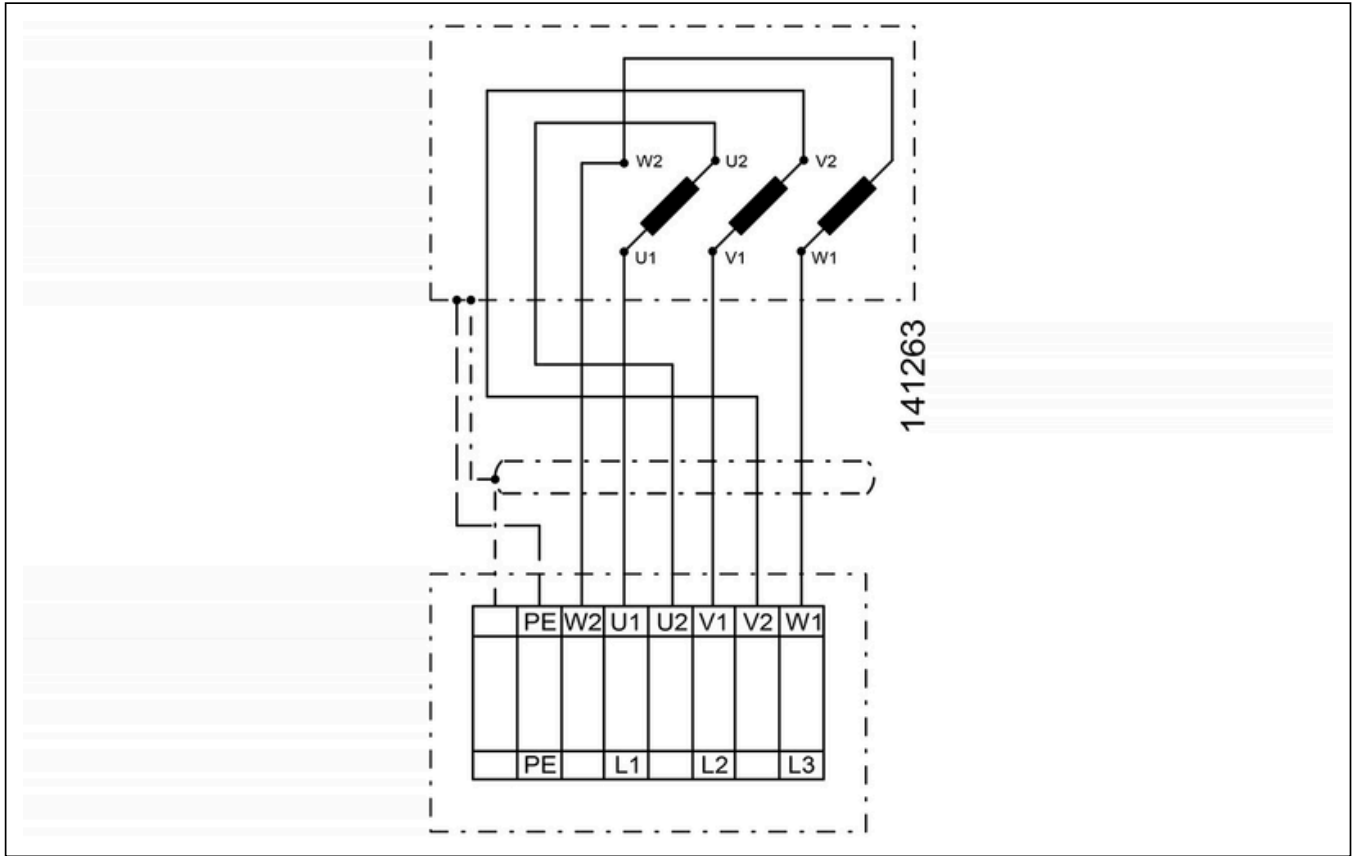
154141





# AL 710 D4 01

154141



to the product detail page

# AL 710 D4 01

154141

## MECHANICAL ACCESSORIES

**RVK 710 | 153914**



- Automatic tube shutter
- Sheet steel, powder coated
- For vertical installation
- Flange mounting

**RVK H 710 | 154879**



- Automatic tube shutter
- Sheet steel, powder coated
- For horizontal installation
- Flange mounting

**RVS 710 | 154201**



- Tube connection spigot
- Sheet steel, powder coated
- Suitable for outdoor installation
- Flange mounting

**ESD 710 | 153939**



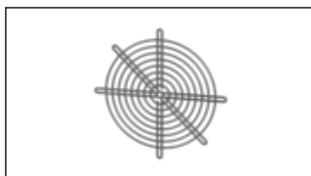
- Inlet cone
- Steel sheet, powder coated
- Flange mounting

**FAL 710 | 154812**



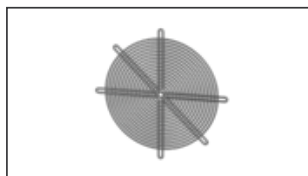
- Mounting foot
- Sheet steel, powder coated

**SGW 710 | 154056**



- Protection grille, wide meshed
- Steel sheet, galvanized
- Flange mounting

**SGE 710 | 154083**



- Protection grille, narrow meshed
- Steel sheet, galvanized
- Flange mounting

**FSD 07 | 155504**



- Set of 4 vibration dampers
- Made of natural rubber, hardness 55 Shore A

**RAF 710 | 154024**



- Round flange
- Sheet steel, powder coated

**RAS 710 | 154253**



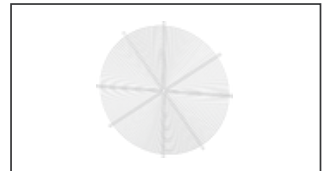
- Round spigot, flexible
- Galvanized steel sheet, plastic band (PES)
- Temperature resistant up to 75 °C
- Flange mounting

**FSD 04 | 155501**



- Set of 4 vibration dampers
- All metal design, galvanized

**SGW 800 | 154057**



- Protection grille, wide meshed
- Steel sheet, galvanized
- Flange mounting

**MR 710 | 165872**



- Mounting ring
- For vertical mounting
- Powder-coated sheet steel
- Flange mounting DN 710



to the product detail page

## ELECTRICAL ACCESSORIES

MS 06 | 160184



- Motor protection switch with device switch function
- For three phase motors
- $I_{max} = 16 \text{ A}$

MTP 20 | 128146



- Potentiometer  $10 \text{ k}\Omega$
- Switching contact  $1\text{A}/250\text{V AC} - 2,5\text{A}/12\text{V DC}$
- Max. ambient temperature  $50 \text{ }^\circ\text{C}$
- VDE

MTP 30 | 143289



- Stepped potentiometer  $10 \text{ k}\Omega$
- Step 1 + 2 settable  $10\% - 100\% \text{ Vdc}$
- Step 3  $100\% \text{ Vdc}$
- Supply voltage  $+10 \text{ Vdc}$

SEN AIR | 148641



- Airflow and temperature transducer
- Measuring range temperature  $0...+50 \text{ }^\circ\text{C}$
- With adjustable switching threshold (air speed)
- Measuring range air velocity up to  $20 \text{ m/s}$

CON P1000 | 115259



- Constant pressure control
- Actual value display possible via optional control unit
- Output  $0-10 \text{ V DC} + \text{FC enable} + \text{setpoint reached}$
- Pressure setting by means of decade switch

FU 75 05 | 155185



- Frequency converter
- Supply voltage  $400 \text{ V } 3\text{-} 50/60 \text{ Hz}$
- Output voltage  $0 - 400 \text{ V } 3\text{-}$
- Fire mode function (smoke extract fans)

FU 75 04 | 155184



- Frequency converter
- Supply voltage  $400 \text{ V } 3\text{-} 50/60 \text{ Hz}$
- Output voltage  $0 - 400 \text{ V } 3\text{-}$
- Protection class IP 20, for switch cabinet

GS 02 | 169671



- Isolator switch
- $U_{max} = 400 \text{ V}, 50/60 \text{ Hz}$
- Switching capacity  $400 \text{ V } 3\text{-} = 7,5 \text{ kW}$
- $I_{max} = 25 \text{ A}$

