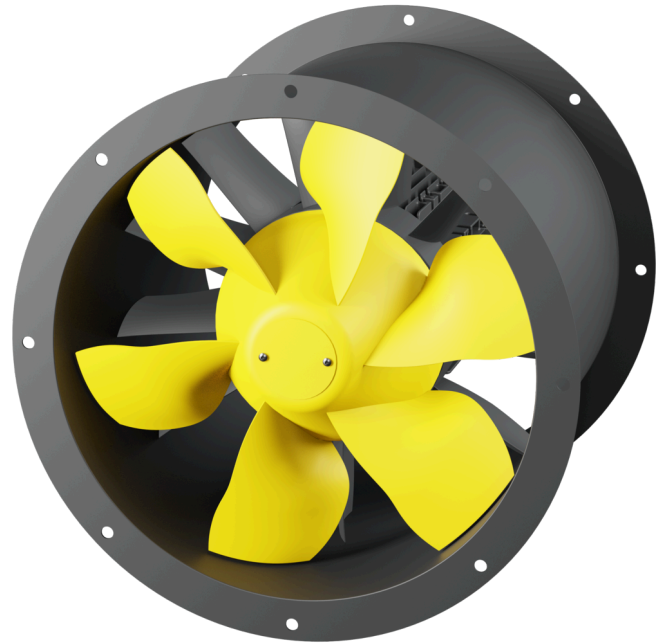


# AL 630 D4 01

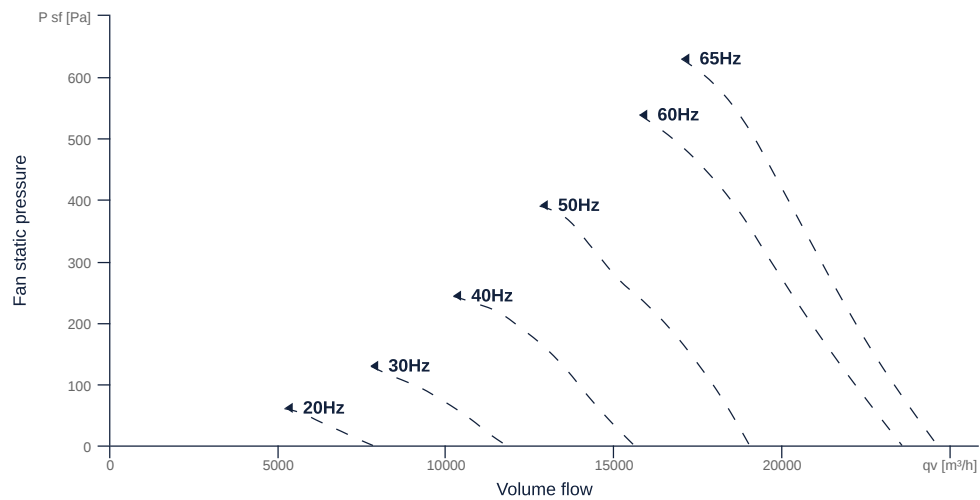
154152

- Innovative, high-efficiency axial fan
- Optimally tuned, CFD-optimized aerodynamics
- Housing weight optimized, powder coated
- Efficient IE3 motor, frequency controllable
- Conveyed medium temperature up to 60 °C in continuous operation
- Exceeds current ErP regulation by 15 - 20%



## FAN CURVES

Name	Value	Unit
Volume flow	0	m³/h
Pressure	0	Pa



to the product detail page

## GENERAL DATA

Name	Value	Unit	Formula symbol
Labeling	CE, UKCA		
Duct size	-		$W \times H_{\text{duct}}$
Pipe connection size (DN)	DN630		DN
Rated voltage (entire device)	400	V	$U_{\text{rated}}$
Phases (entire device)	3~		phase
Electrical protection (entire device)	10 A		fuse
Housing material	Coated steel		matcasing
Impeller material	Coated steel		matimpeller
IP-protection class (entire device)	IPX4		$IP_{\text{compl}}$
IP-Protection class (terminal box)	IP55		$IP_{\text{ebox}}$
Weight	65.2	kg	m
Fan type	Axial		Fan <sub>type</sub>
Category / Installation situation	B		cat

## MAXIMAL DATA

Name	Value	Unit	Formula symbol
Max. power consumption (device)	5680	W	$P_{\text{ed, max}}$
Max. operating current (device)	9.1	A	$I_{\text{ed, max}}$
Max. speed	1910	1/min	$n_{\text{max}}$
Max. stat. efficiency	56.6	%	$\eta_{\text{es}}$
Max. fan efficiency	68.9	%	$\eta_{\text{e}}$
Max. flowrate	24620	$\text{m}^3/\text{h}$	$q_{\text{v, max}}$
Max. stat pressure	625	Pa	$p_{\text{sf, max}}$
Max. medium temperature	60	°C	$T_{\text{m, max}}$
Max. environment temperature	60	°C	$T_{\text{amb, max}}$
Min. environment temperature	-20	°C	$T_{\text{amb, min}}$



to the product detail page

## MOTOR DATA

Name	Value		Unit	Formula symbol
	50 Hz	60 Hz		
Rated frequency (device)		50		f
Motor type		AC 3~		phase
Control type		frequency-controlled		ctrltype
Installation type		IRM (In)		install
Rotation direction		right		rotation
Isolation class		ISO F		ISOclass
Is pole-changeable		No		polexch
Type of power supply		AC 3~		pwrSUPmotor
Number of poles (1)		4.000000		num polesw1
Connection	Δ	Y		wiringw1
Connection (wiring 2)	Y			wiringw2
Rated voltage	230	460	V	U <sub>rated, f1</sub>
Rated voltage (wiring 2)	400		V	U <sub>rated, f2</sub>
Rated current	14.3	7.28	A	I <sub>rated, f1</sub>
Rated current (wiring 2)	8.2		A	I <sub>rated, f2</sub>
Shaft power	4000	4000	W	P <sub>out, f1</sub>
Shaft power (wiring 2)	4000		W	P <sub>out, f2</sub>
Speed	1450	1755	1/min	n <sub>f1</sub>
Speed (wiring 2)	1450		1/min	n <sub>f2</sub>
Starting current	100	58.2	A	I <sub>start, f1</sub>
Starting current (wiring 2)	57.4		A	I <sub>start, f2</sub>
Efficiency	89.1	89.5	%	η <sub>m, f1</sub>
Efficiency (wiring 2)	89.1		%	η <sub>m, f2</sub>
Efficiency class	IE3	IE3		IE <sub>motor</sub>
Min. temperature	-20	-20	°C	T <sub>motor, min</sub>
Cos Phi	0.790000	0.770000		cos φ
UL-Certification motor		UL recognized		ULcert

## ERP DATA (LOT11)

Name	Value	Unit	Formula symbol
Speed at the energy efficiency optimum	1890	1/min	n <sub>opt</sub>
Efficiency level	72.5	%	N
Efficiency category	total		cat <sub>efficiency</sub>
Input power of the motor at the energy efficiency optimum	5.09	kW	P <sub>e, opt</sub>
Overall efficiency	74.4	%	η <sub>ges</sub>
Measurement category	B		meas cat
Fan pressure at energy efficiency optimum	716	Pa	p <sub>f, opt</sub>
Flowrate at energy efficiency optimum	18549	m <sup>3</sup> /h	Q <sub>v, opt</sub>

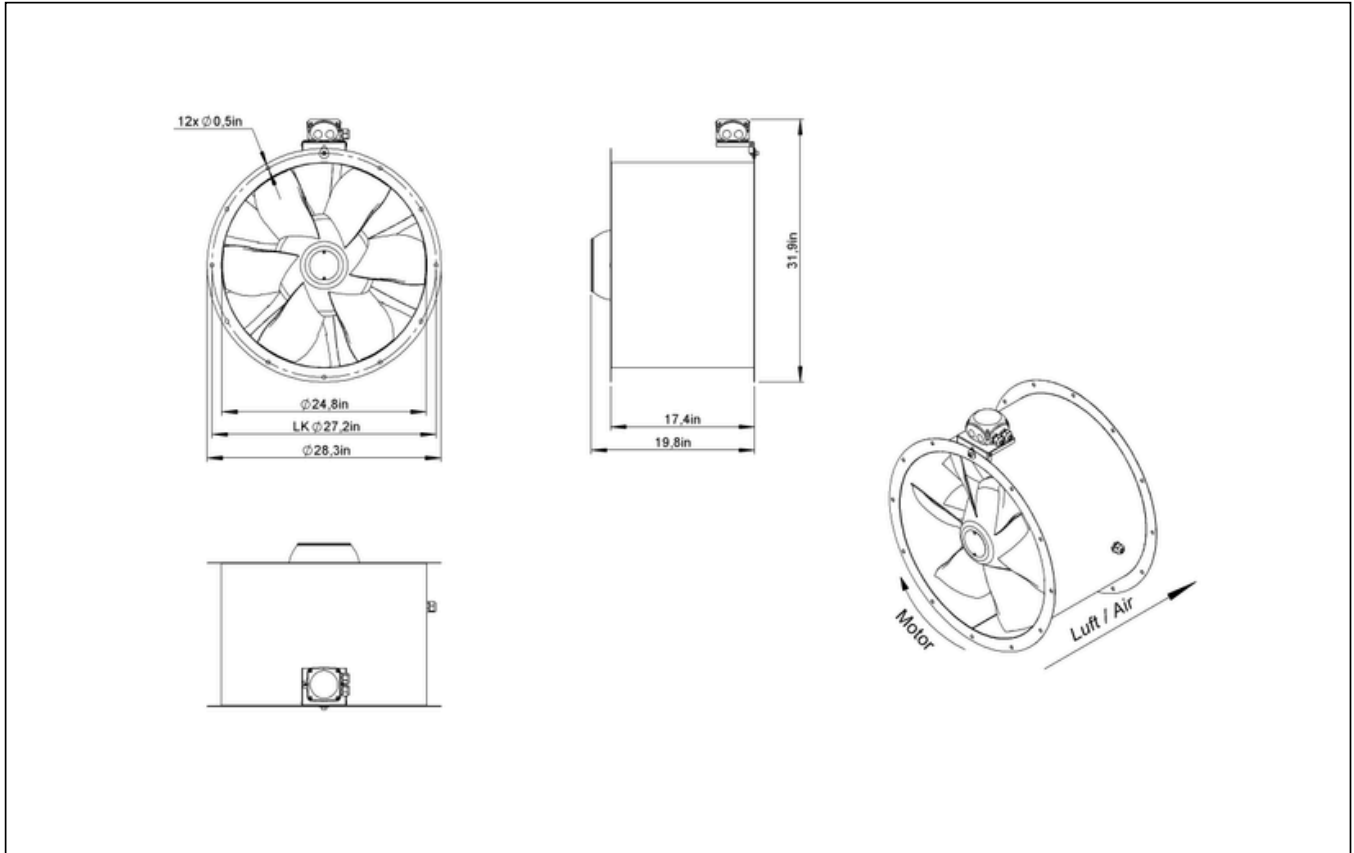


to the product detail page

# AL 630 D4 01

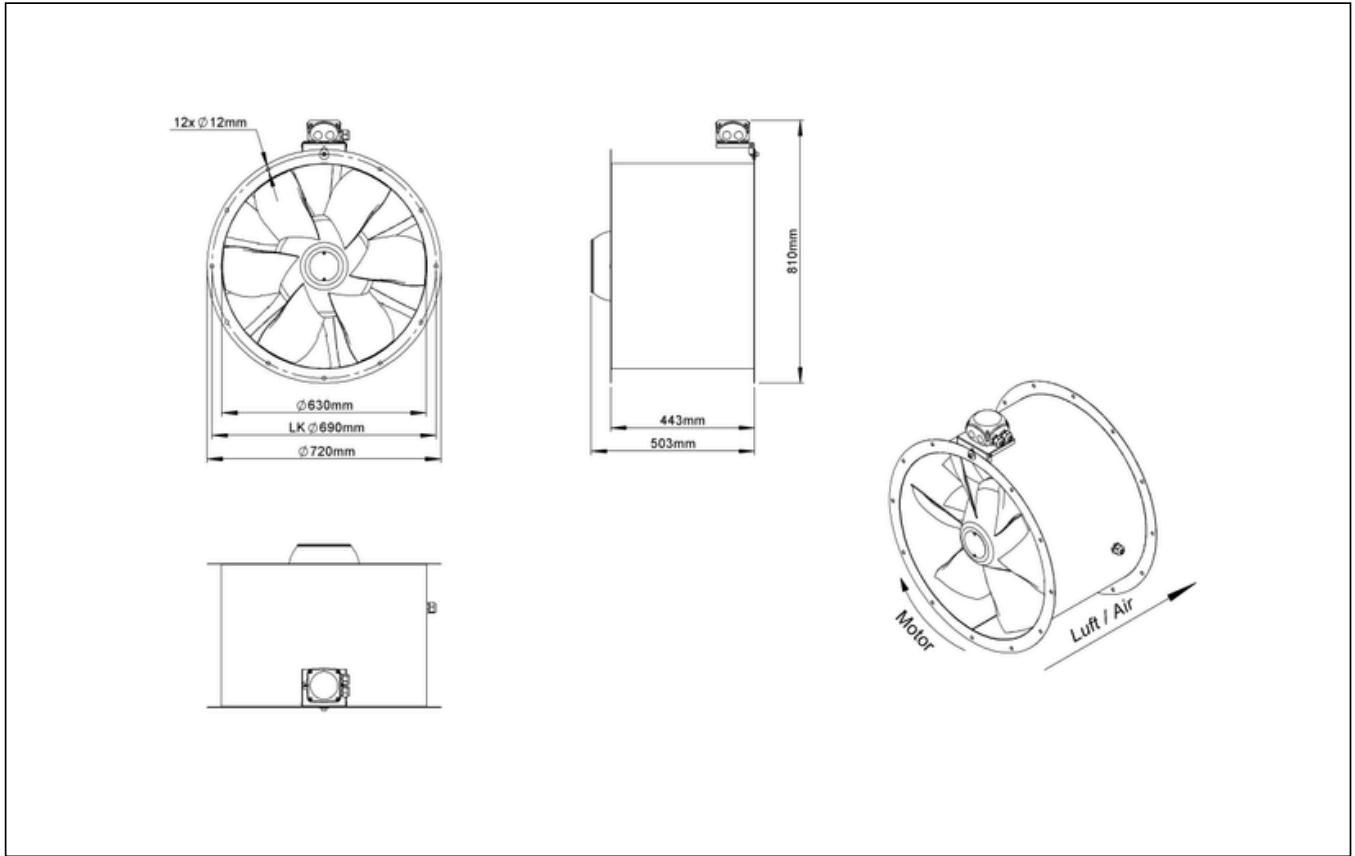
154152

## CIRCUIT DIAGRAMS / DIMENSIONAL DRAWINGS



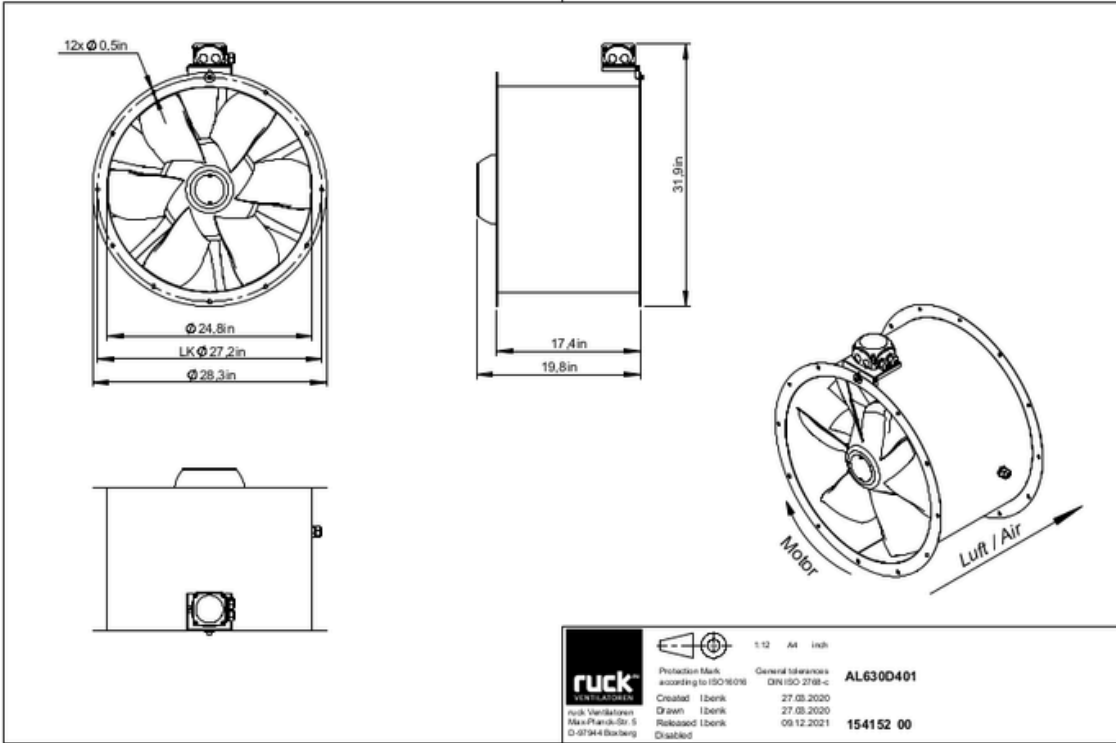
# AL 630 D4 01

154152



**AL 630 D4 01**

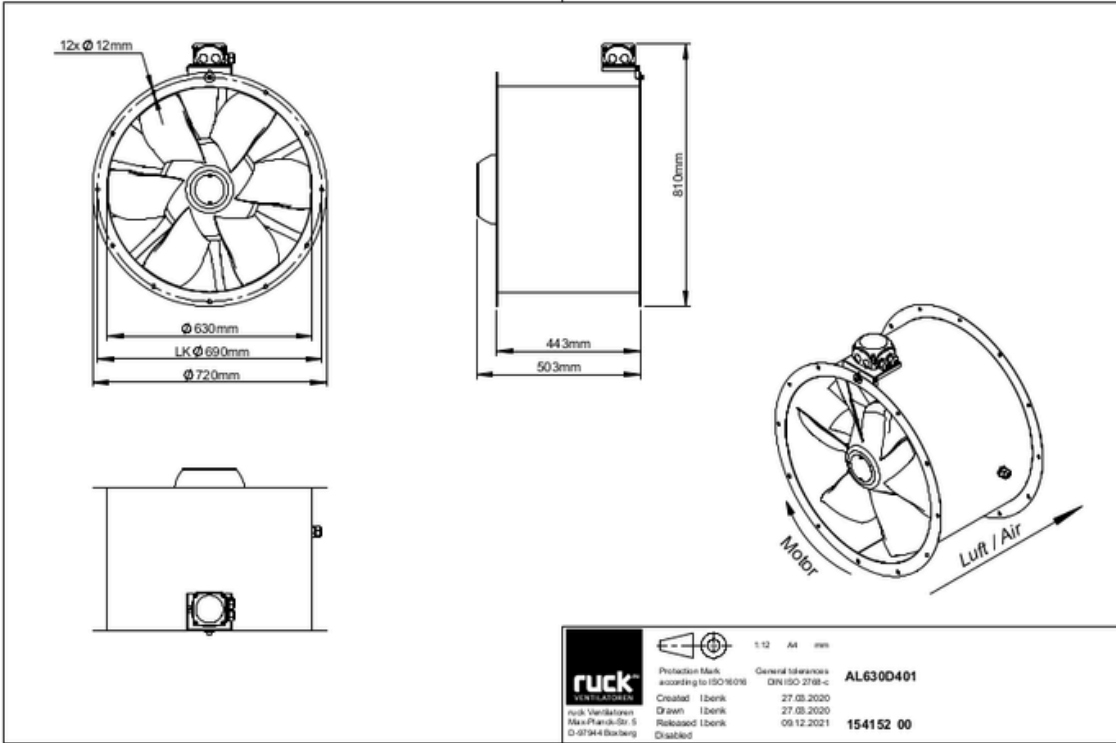
154152



to the product detail page

# AL 630 D4 01

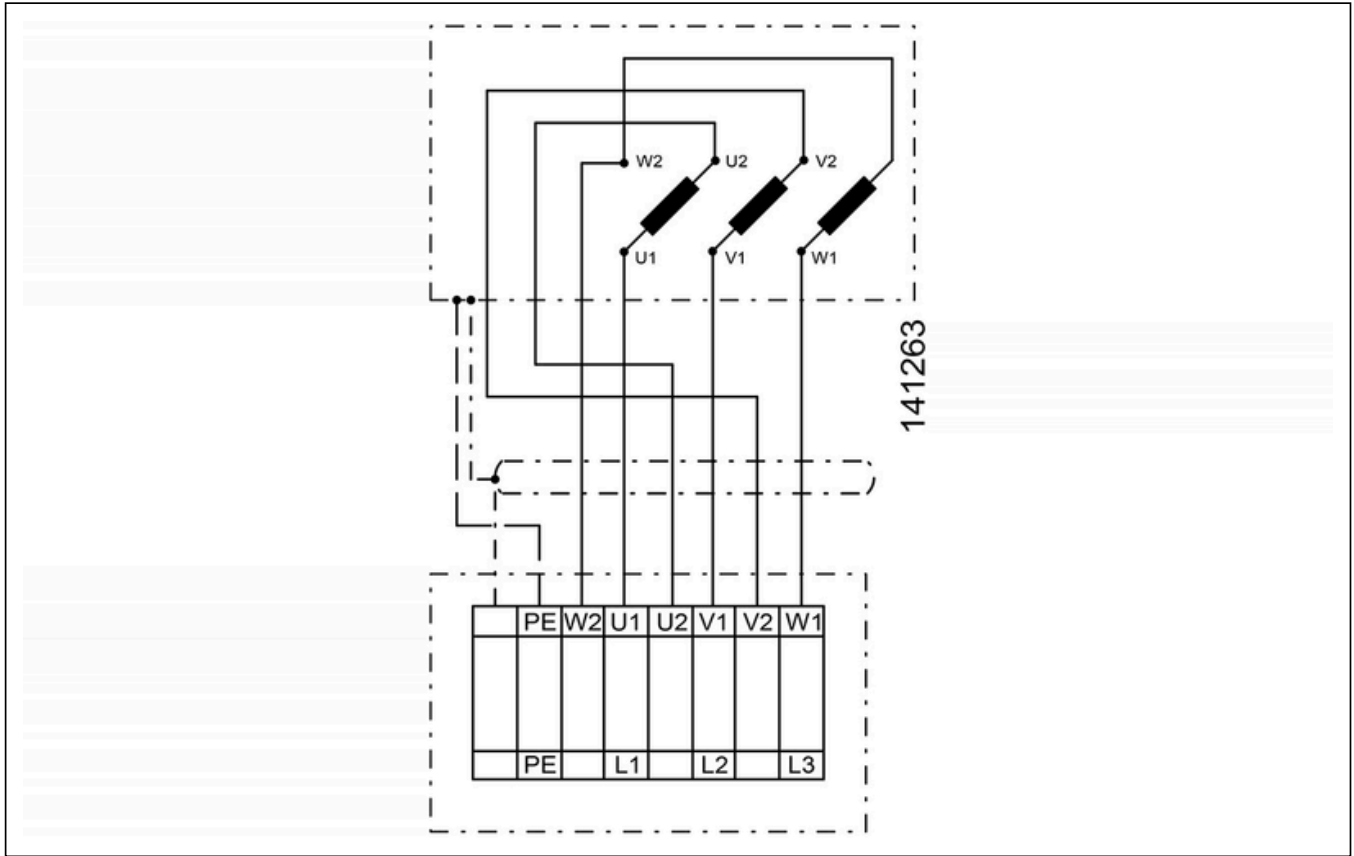
154152



to the product detail page

# AL 630 D4 01

154152



to the product detail page



# AL 630 D4 01

154152

## MECHANICAL ACCESSORIES

**RVK 630 | 153910**



- Automatic tube shutter
- Sheet steel, powder coated
- For vertical installation
- Flange mounting

**RVK H 630 | 155488**



- Automatic tube shutter
- Sheet steel, powder coated
- For horizontal installation
- Flange mounting

**RVS 630 | 154198**



- Tube connection spigot
- Sheet steel, powder coated
- Suitable for outdoor installation
- Flange mounting

**ESD 630 | 153942**



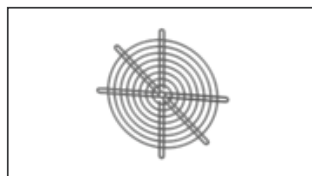
- Inlet cone
- Steel sheet, powder coated
- Flange mounting

**FAL 630 | 154811**



- Mounting foot
- Sheet steel, powder coated

**SGW 710 | 154056**



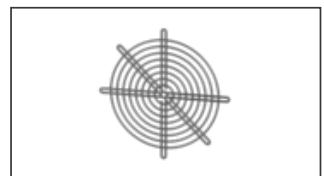
- Protection grille, wide meshed
- Steel sheet, galvanized
- Flange mounting

**FSD 03 | 155500**



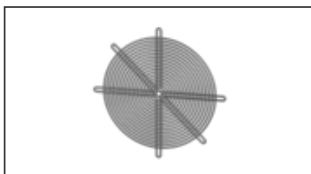
- Set of 4 vibration dampers
- All metal design, galvanized

**SGW 630 | 154054**



- Protection grille, wide meshed
- Steel sheet, galvanized
- Flange mounting

**SGE 630 | 154079**



- Protection grille, narrow meshed
- Steel sheet, galvanized
- Flange mounting

**RAF 630 | 154023**



- Round flange
- Sheet steel, powder coated

**RAS 630 | 154252**



- Round spigot, flexible
- Galvanized steel sheet, plastic band (PES)
- Temperature resistant up to 75 °C
- Flange mounting

**FSD 06 | 155503**



- Set of 4 vibration dampers
- Made of natural rubber, hardness 55 Shore A

**MR 630 | 165852**



- Mounting ring
- For vertical mounting
- Powder-coated sheet steel
- Flange mounting DN 630



to the product detail page

## ELECTRICAL ACCESSORIES

MS 04 | 140413



- Motor protection switch with Isolator switchfunktion
- I<sub>max</sub> = 400 V, 50/60 Hz
- Max. 4 kW
- Protection class IP 55

MTP 20 | 128146



- Potentiometer 10 kΩ
- Switching contact 1A/250V AC - 2,5A/12V DC
- Max. ambient temperature 50 °C
- VDE

MTP 30 | 143289



- Stepped potentiometer 10 kΩ
- Step 1 + 2 settable 10 % - 100 % V<sub>dc</sub>
- Step 3 100 % V<sub>dc</sub>
- Supply voltage +10 V<sub>dc</sub>

SEN AIR | 148641



- Airflow and temperature transducer
- Measuring range temperature 0...+50 °C
- With adjustable switching threshold (air speed)
- Measuring range air velocity up to 20 m/s

CON P1000 | 115259



- Constant pressure control
- Actual value display possible via optional control unit
- Output 0-10 V DC + FC enable + setpoint reached
- Pressure setting by means of decade switch

FU 55 15 | 155178



- Frequency converter
- Supply voltage 400 V 3~ 50/60 Hz
- Output voltage 0 - 400 V 3~
- Protection class IP 20, for switch cabinet

FU 55 16 | 155179



- Frequency converter
- Supply voltage 400 V 3~ 50/60 Hz
- Output voltage 0 - 400 V 3~
- Fire mode function (smoke extract fans)

GS 02 | 169671



- Isolator switch
- U<sub>max</sub> = 400 V, 50/60 Hz
- Switching capacity 400 V 3~ = 7,5 kW
- I<sub>max</sub> = 25 A

