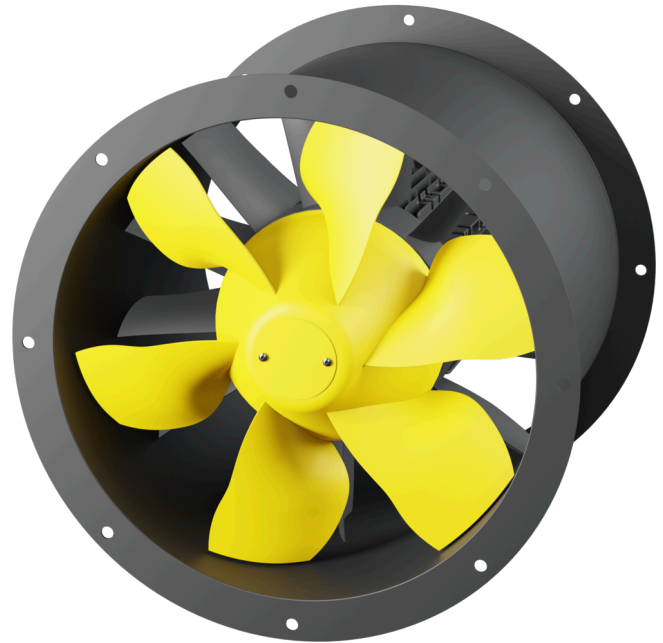


AL 560 D4 02

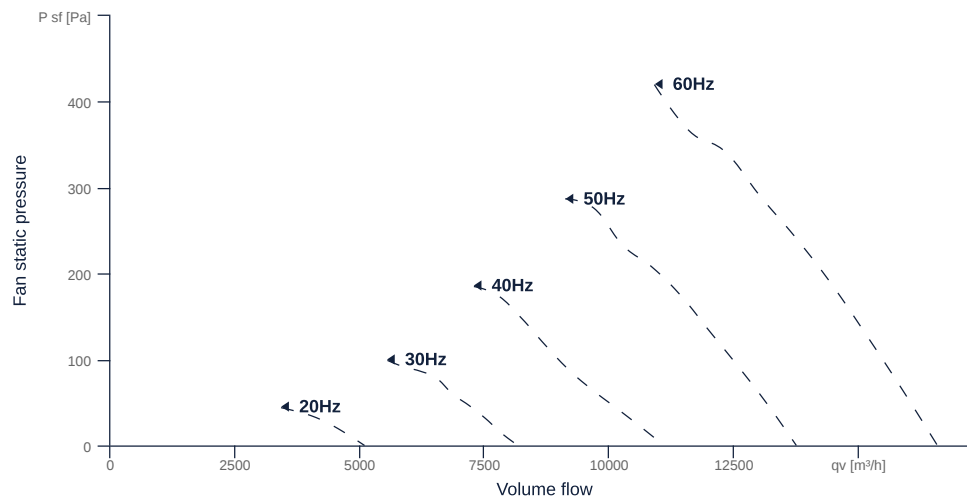
154160

- Innovative, high-efficiency axial fan
- Optimally tuned, CFD-optimized aerodynamics
- Housing weight optimized, powder coated
- Efficient IE3 motor, frequency controllable
- Conveyed medium temperature up to 60 °C in continuous operation
- Exceeds current ErP regulation by 15 - 20%



FAN CURVES

Name	Value	Unit
Volume flow	0	m³/h
Pressure	0	Pa



to the product detail page

AL 560 D4 02

154160

ruck

GENERAL DATA

Name	Value	Unit	Formula symbol
Labeling	CE, UKCA		
Duct size	-		$W \times H_{\text{duct}}$
Pipe connection size (DN)	DN560		DN
Rated voltage (entire device)	400	V	U_{rated}
Phases (entire device)	3~		phase
Electrical protection (entire device)	6 A		fuse
Housing material	Coated steel		matcasing
Impeller material	Coated steel		matimpeller
IP-protection class (entire device)	IPX4		IP_{compl}
IP-Protection class (terminal box)	IP55		IP_{ebox}
Weight	49.3	kg	m
Fan type	Axial		Fan _{type}
Category / Installation situation	B		cat

MAXIMAL DATA

Name	Value	Unit	Formula symbol
Max. power consumption (device)	3162	W	$P_{\text{ed, max}}$
Max. operating current (device)	4.31	A	$I_{\text{ed, max}}$
Max. speed	1760	1/min	n_{max}
Max. stat. efficiency	51.5	%	η_{es}
Max. fan efficiency	65.2	%	η_{e}
Max. flowrate	16580	m ³ /h	$q_{\text{v, max}}$
Max. stat pressure	430	Pa	$p_{\text{sf, max}}$
Max. medium temperature	60	°C	$T_{\text{m, max}}$
Max. environment temperature	60	°C	$T_{\text{amb, max}}$
Min. environment temperature	-20	°C	$T_{\text{amb, min}}$



to the product detail page

AL 560 D4 02

154160

MOTOR DATA

Name	Value		Unit	Formula symbol
	50 Hz	60 Hz		
Rated frequency (device)		50		f
Motor type		AC 3~		phase
Control type		frequency-controlled		ctrltype
Installation type		IRM (In)		install
Rotation direction		right		rotation
Isolation class		ISO F		ISOclass
Is pole-changeable		No		polexch
Type of power supply		AC 3~		pwrSUPmotor
Number of poles (1)		4.000000		num polesw1
Connection	Δ	Y		wiringw1
Connection (wiring 2)	Y			wiringw2
Rated voltage	230	460	V	U _{rated, f1}
Rated voltage (wiring 2)	400		V	U _{rated, f2}
Rated current	8.03	4.01	A	I _{rated, f1}
Rated current (wiring 2)	4.62		A	I _{rated, f2}
Shaft power	2200	2200	W	P _{out, f1}
Shaft power (wiring 2)	2200		W	P _{out, f2}
Speed	1435	1745	1/min	n _{f1}
Speed (wiring 2)	1435		1/min	n _{f2}
Starting current	64.3	38.1	A	I _{start, f1}
Starting current (wiring 2)	37		A	I _{start, f2}
Efficiency	87	89.5	%	η _{m, f1}
Efficiency (wiring 2)	87		%	η _{m, f2}
Efficiency class	IE3	IE3		IE _{motor}
Min. temperature	-20	-20	°C	T _{motor, min}
Cos Phi	0.790000	0.770000		cos φ
UL-Certification motor		UL recognized		ULcert

ERP DATA (LOT11)

Name	Value	Unit	Formula symbol
Speed at the energy efficiency optimum	1744	1/min	n _{opt}
Efficiency level	68.8	%	N
Efficiency category	total		cat _{efficiency}
Input power of the motor at the energy efficiency optimum	2.25	kW	P _{e, opt}
Overall efficiency	72.8	%	η _{ges}
Measurement category	B		meas cat
Fan pressure at energy efficiency optimum	437	Pa	p _{f, opt}
Flowrate at energy efficiency optimum	12731	m³/h	Q _{v, opt}

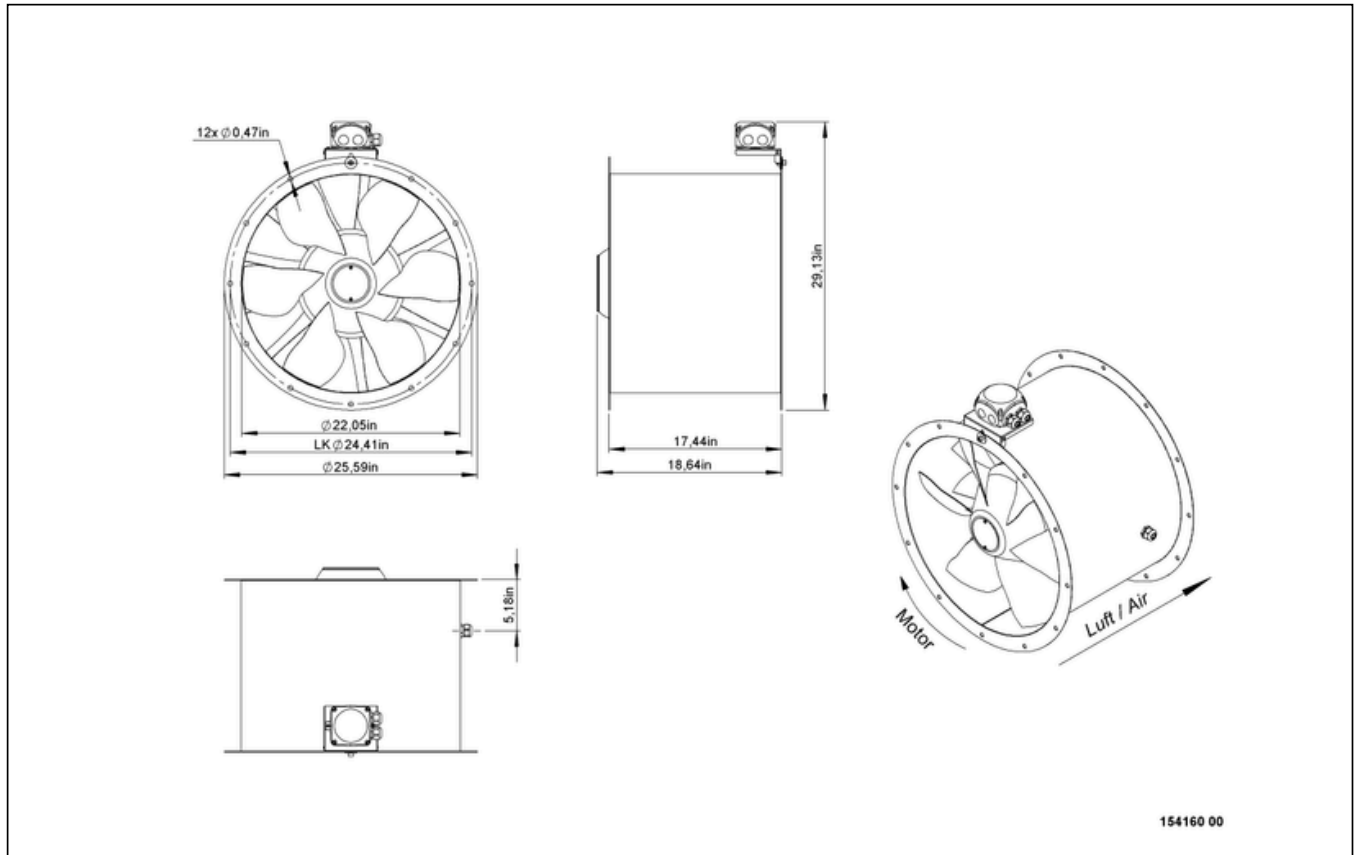


to the product detail page

AL 560 D4 02

154160

CIRCUIT DIAGRAMS / DIMENSIONAL DRAWINGS

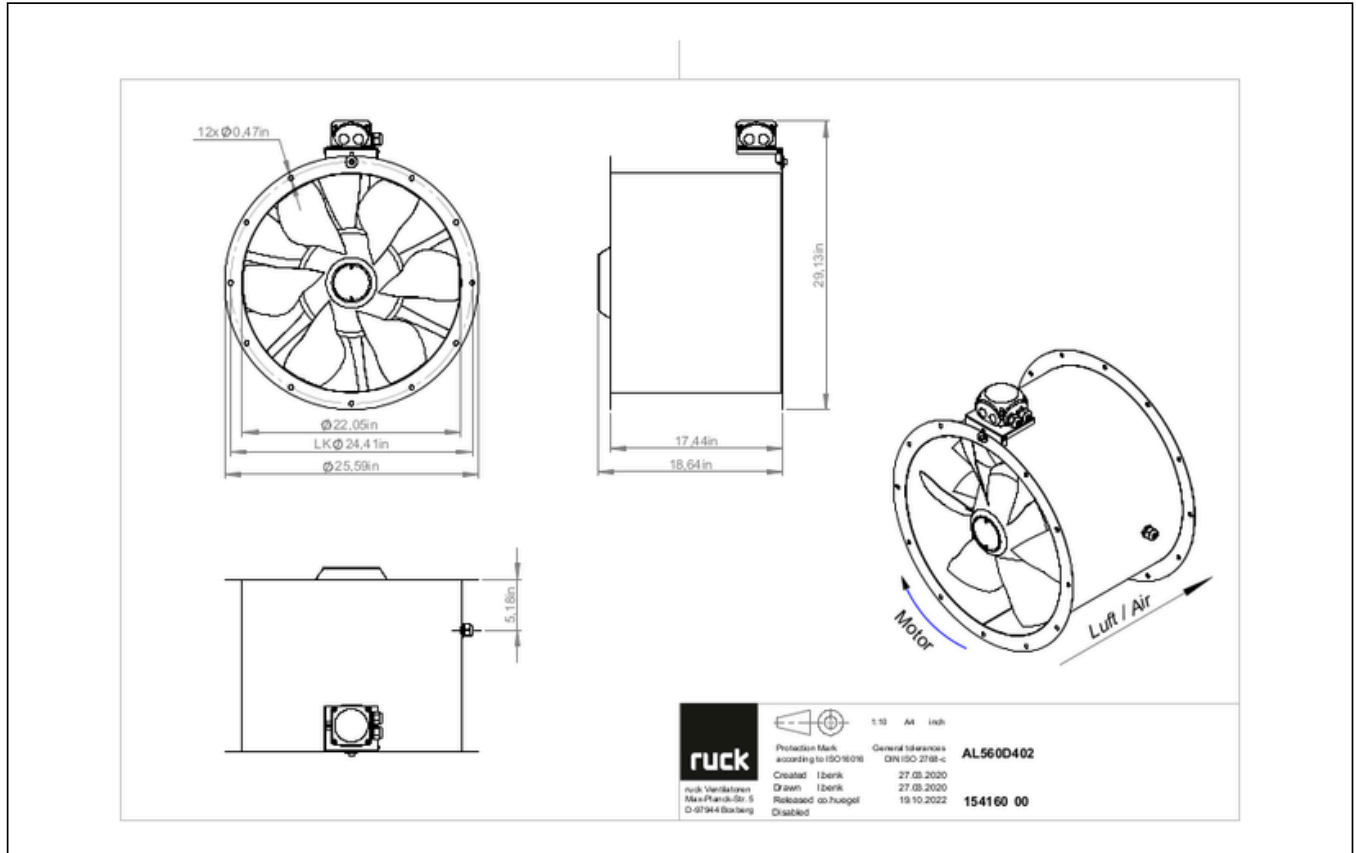


to the product detail page

AL 560 D4 02

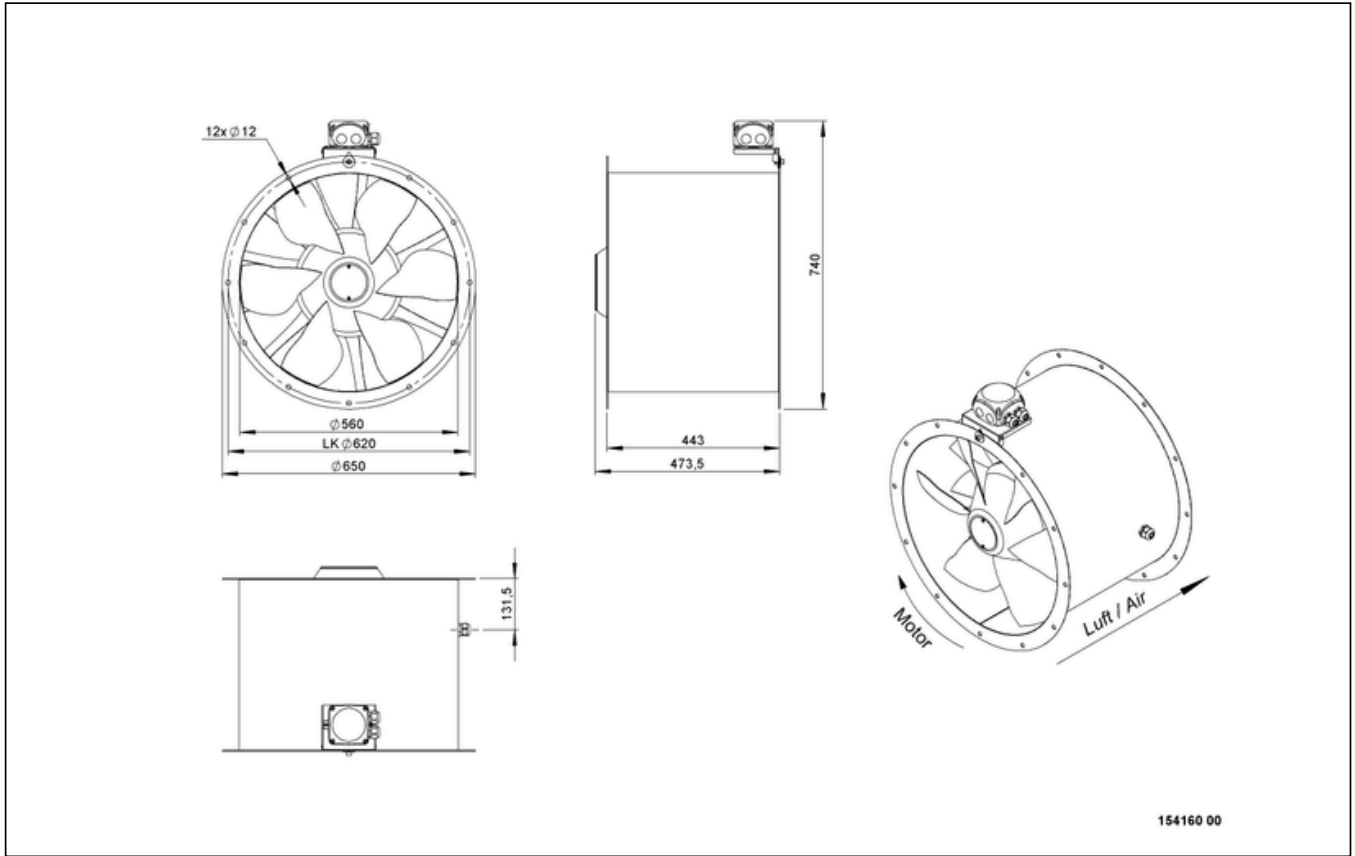
154160

ruck



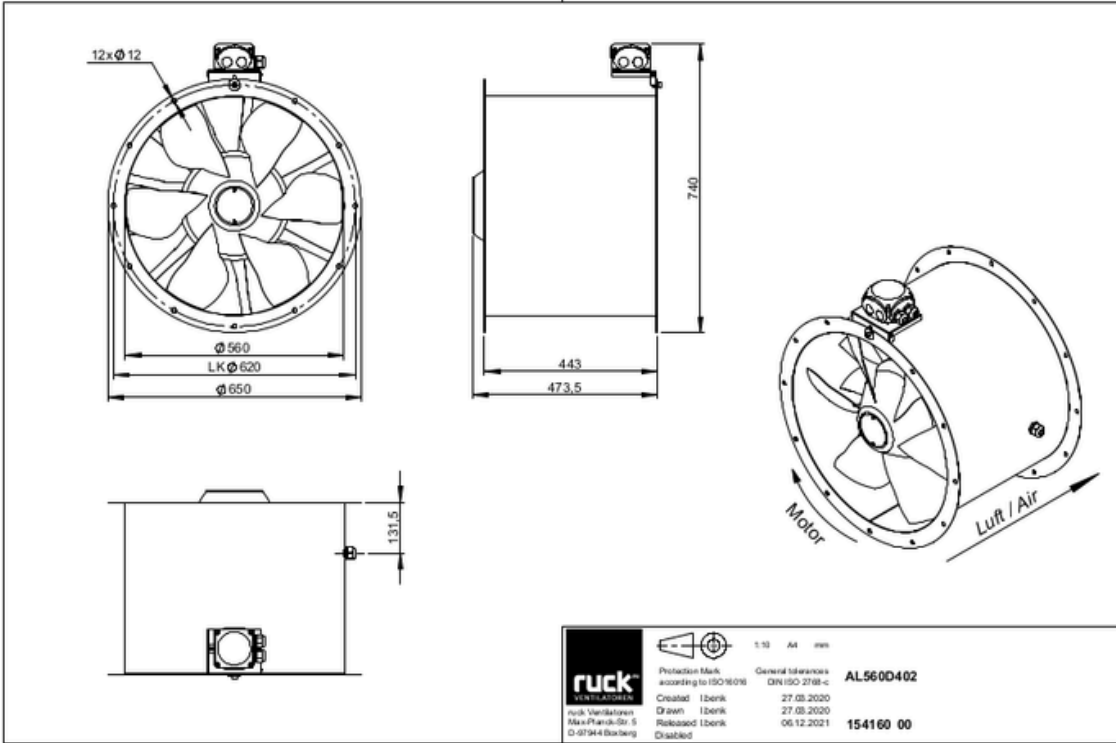
AL 560 D4 02

154160



AL 560 D4 02

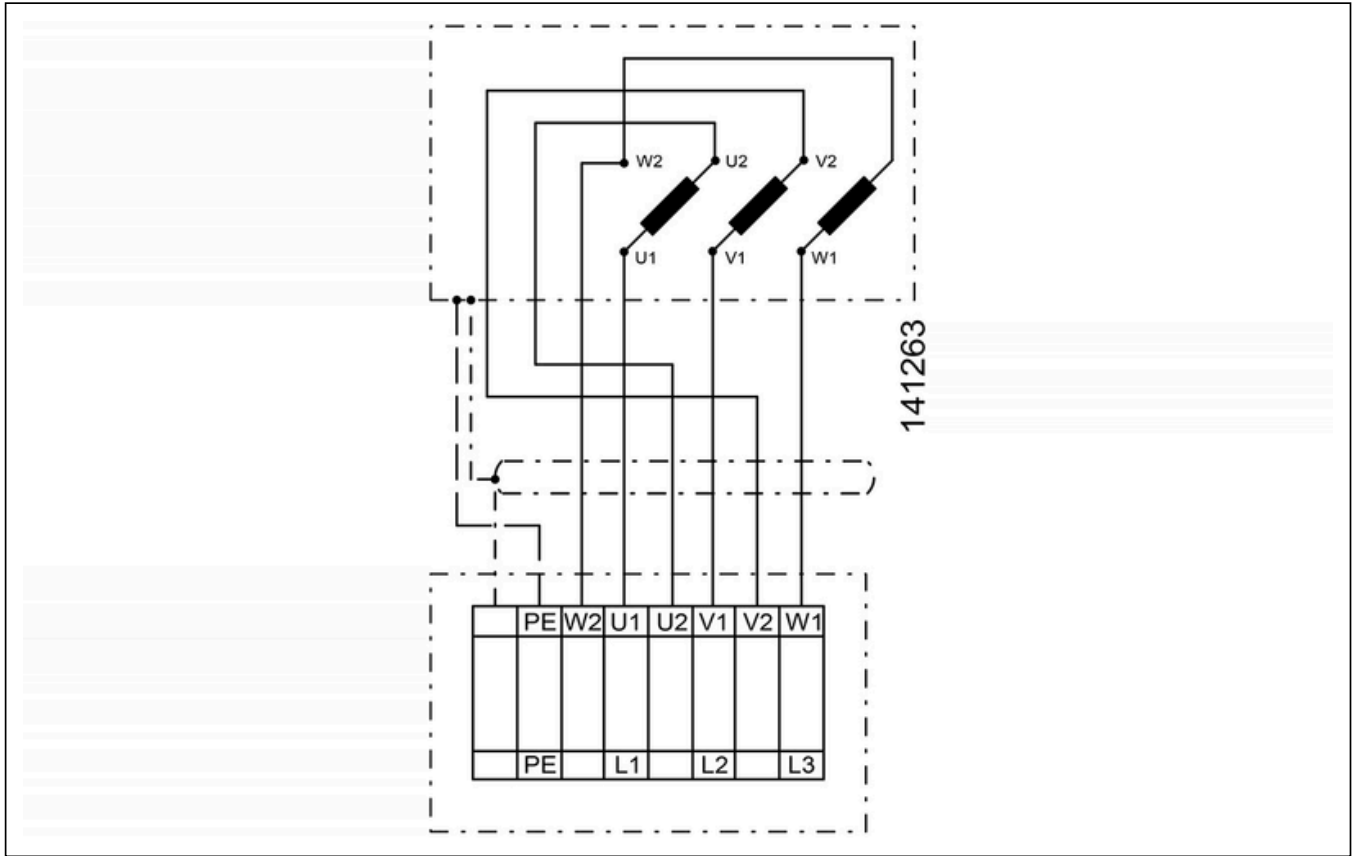
154160



to the product detail page

AL 560 D4 02

154160



to the product detail page

AL 560 D4 02

154160

MECHANICAL ACCESSORIES

RVK 560 | 153906



- Automatic tube shutter
- Sheet steel, powder coated
- For vertical installation
- Flange mounting

RVK H 560 | 155628



- Automatic tube shutter
- Sheet steel, powder coated
- For horizontal installation
- Flange mounting

RVS 560 | 154195



- Tube connection spigot
- Sheet steel, powder coated
- Suitable for outdoor installation
- Flange mounting

ESD 560 | 153953



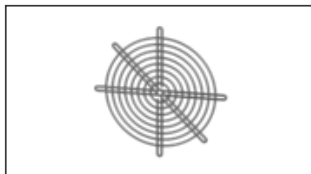
- Inlet cone
- Steel sheet, powder coated
- Flange mounting

FAL 560 | 154810



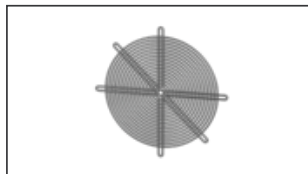
- Mounting foot
- Sheet steel, powder coated

SGW 560 | 154053



- Protection grille, wide meshed
- Steel sheet, galvanized
- Flange mounting

SGE 560 | 154077



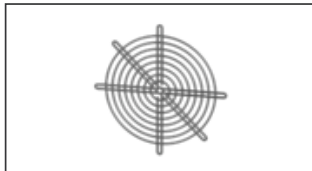
- Protection grille, narrow meshed
- Steel sheet, galvanized
- Flange mounting

FSD 02 | 155499



- Set of 4 vibration dampers
- All metal design, galvanized

SGW 630 | 154054



- Protection grille, wide meshed
- Steel sheet, galvanized
- Flange mounting

RAF 560 | 154022



- Round flange
- Sheet steel, powder coated

RAS 560 | 154251



- Round spigot, flexible
- Galvanized steel sheet, plastic band (PES)
- Temperature resistant up to 75 °C
- Flange mounting

FSD 06 | 155503



- Set of 4 vibration dampers
- Made of natural rubber, hardness 55 Shore A

MR 560 | 165825



- Mounting ring
- For vertical mounting
- Powder-coated sheet steel
- Flange mounting DN 560



to the product detail page

ELECTRICAL ACCESSORIES

MS 03 | 140411



- Motor protection switch with Isolator switchfunktion
- $I_{max} = 400\text{ V}$, 50/60 Hz
- Max. 2.2 kW
- Protection class IP 55

MTP 20 | 128146



- Potentiometer 10 k Ω
- Switching contact 1A/250V AC - 2,5A/12V DC
- Max. ambient temperature 50 °C
- VDE

MTP 30 | 143289



- Stepped potentiometer 10 k Ω
- Step 1 + 2 settable 10 % - 100 % Vdc
- Step 3 100 % Vdc
- Supply voltage +10 Vdc

SEN AIR | 148641



- Airflow and temperature transducer
- Measuring range temperature 0...+50 °C
- With adjustable switching threshold (air speed)
- Measuring range air velocity up to 20 m/s

CON P1000 | 115259



- Constant pressure control
- Actual value display possible via optional control unit
- Output 0-10 V DC + FC enable + setpoint reached
- Pressure setting by means of decade switch

FU 22 28 | 155174



- Frequency converter IP66
- Supply voltage 230 V 1~ 50/60 Hz
- Output voltage 0 - 230 V 3~
- Fire mode function (smoke extract fans)

FU 22 29 | 155175



- Frequency converter
- Supply voltage 400 V 3~ 50/60 Hz
- Output voltage 0 - 400 V 3~
- Protection class IP 20, for switch cabinet

FU 22 27 | 155173



- Frequency converter
- Supply voltage 230 V 1~ 50/60 Hz
- Output voltage 0 - 230 V 3~
- Protection class IP 20, for switch cabinet

FU 22 30 | 155176



- Frequency converter
- Supply voltage 400 V 3~ 50/60 Hz
- Output voltage 0 - 400 V 3~
- Fire mode function (smoke extract fans)

GS 02 | 169671



- Isolator switch
- $U_{max} = 400\text{ V}$, 50/60 Hz
- Switching capacity 400 V 3~ = 7,5 kW
- $I_{max} = 25\text{ A}$



to the product detail page