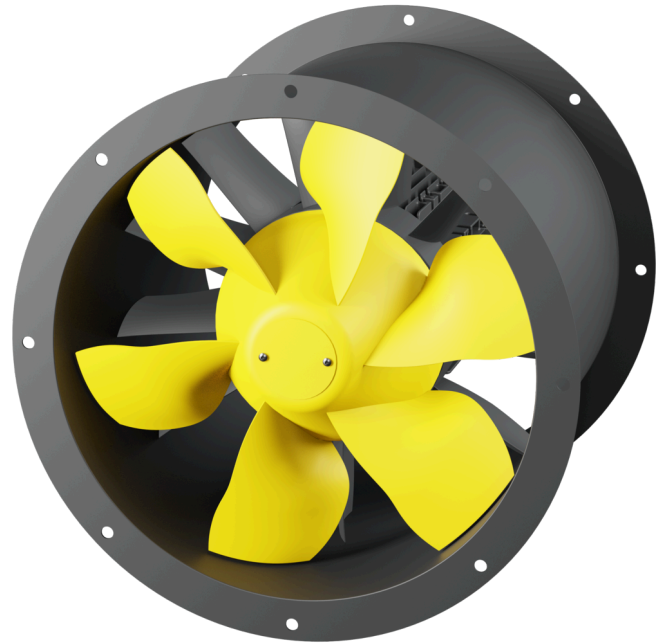


AL 500 D2 01

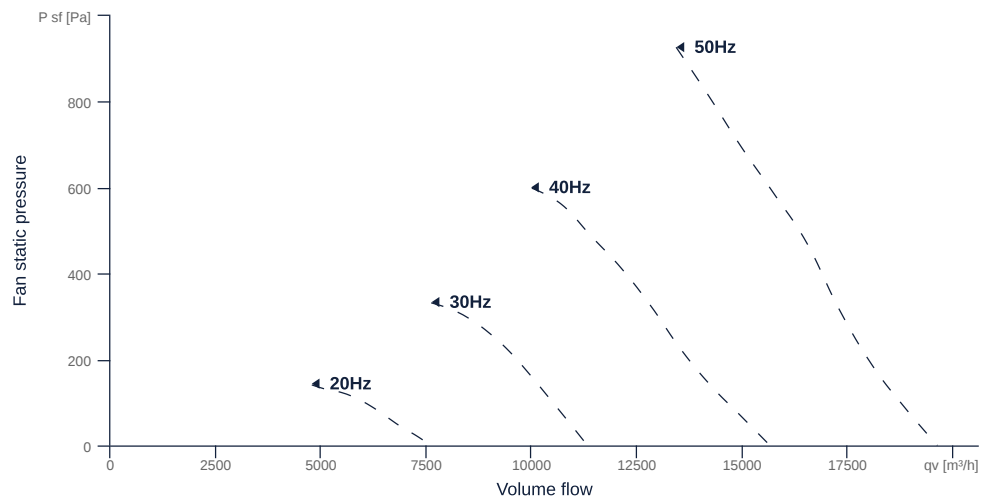
154118

- Innovative, high-efficiency axial fan
- Optimally tuned, CFD-optimized aerodynamics
- Housing weight optimized, powder coated
- Efficient IE3 motor, frequency controllable
- Conveyed medium temperature up to 60 °C in continuous operation
- Exceeds current ErP regulation by 15 - 20%



FAN CURVES

Name	Value	Unit
Volume flow	0	m³/h
Pressure	0	Pa



to the product detail page

AL 500 D2 01

154118

ruck

GENERAL DATA

Name	Value	Unit	Formula symbol
Labeling	CE, UKCA		
Duct size	-		$W \times H_{\text{duct}}$
Pipe connection size (DN)	DN500		DN
Rated voltage (entire device)	400	V	U_{rated}
Phases (entire device)	3~		phase
Electrical protection (entire device)	16 A		fuse
Housing material	Coated steel		matcasing
Impeller material	Coated steel		matimpeller
IP-protection class (entire device)	IPX4		IP_{compl}
IP-Protection class (terminal box)	IP55		IP_{ebox}
Weight	69.14	kg	m
Fan type	Axial		Fan _{type}
Category / Installation situation	B		cat

MAXIMAL DATA

Name	Value	Unit	Formula symbol
Max. power consumption (device)	5928	W	$P_{\text{ed, max}}$
Max. operating current (device)	10.83	A	$I_{\text{ed, max}}$
Max. speed	2955	1/min	n_{max}
Max. stat. efficiency	54.2	%	η_{es}
Max. fan efficiency	66.5	%	η_{e}
Max. flowrate	19631	m ³ /h	$q_{\text{v, max}}$
Max. stat pressure	970	Pa	$p_{\text{sf, max}}$
Max. medium temperature	60	°C	$T_{\text{m, max}}$
Max. environment temperature	60	°C	$T_{\text{amb, max}}$
Min. environment temperature	-20	°C	$T_{\text{amb, min}}$



to the product detail page

MOTOR DATA

Name	Value		Unit	Formula symbol
	50 Hz	60 Hz		
Rated frequency (device)		50		f
Motor type		AC 3~		phase
Control type		frequency-controlled		ctrltype
Installation type		IRM (In)		install
Rotation direction		right		rotation
Isolation class		ISO F		ISOclass
Protection class		IP55		IPmotor
Is pole-changeable		No		polexch
Type of power supply		AC 3~		pwrsupmotor
Number of poles (1)		2.000000		num polesw1
Connection	Δ	Δ		wiringw1
Connection (wiring 2)	Y			wiringw2
Rated voltage	400	460	V	U _{rated, f1}
Rated voltage (wiring 2)	690		V	U _{rated, f2}
Rated current	10.2	8.97	A	I _{rated, f1}
Rated current (wiring 2)	5.91		A	I _{rated, f2}
Shaft power	5500	55000	W	P _{out, f1}
Shaft power (wiring 2)	5500		W	P _{out, f2}
Speed	2940	3550	1/min	n _{f1}
Speed (wiring 2)	2940		1/min	n _{f2}
Starting current	86.7	85.2	A	I _{start, f1}
Starting current (wiring 2)	50.3		A	I _{start, f2}
Efficiency	89.2	89.5	%	$\eta_m, f1$
Efficiency (wiring 2)	89.2		%	$\eta_m, f2$
Efficiency class	IE3	IE3		IE _{motor}
Min. temperature	-20	-20	°C	T _{motor, min}
Cos Phi	0.870000	0.860000		cos φ
UL-Certification motor		UL recognized		ULcert



to the product detail page

AL 500 D2 01

154118

ERP DATA (LOT11)

Name	Value	Unit	Formula symbol
Speed at the energy efficiency optimum	2943	1/min	n_{opt}
Efficiency level	66.1	%	N
Efficiency category	total		cat _{efficiency}
Input power of the motor at the energy efficiency optimum	6.2	kW	$P_{e, opt}$
Overall efficiency	67.4	%	η_{ges}
Measurement category	B		meas cat
Fan pressure at energy efficiency optimum	1018	Pa	$p_{f, opt}$
Flowrate at energy efficiency optimum	14496	m ³ /h	$Q_{v, opt}$

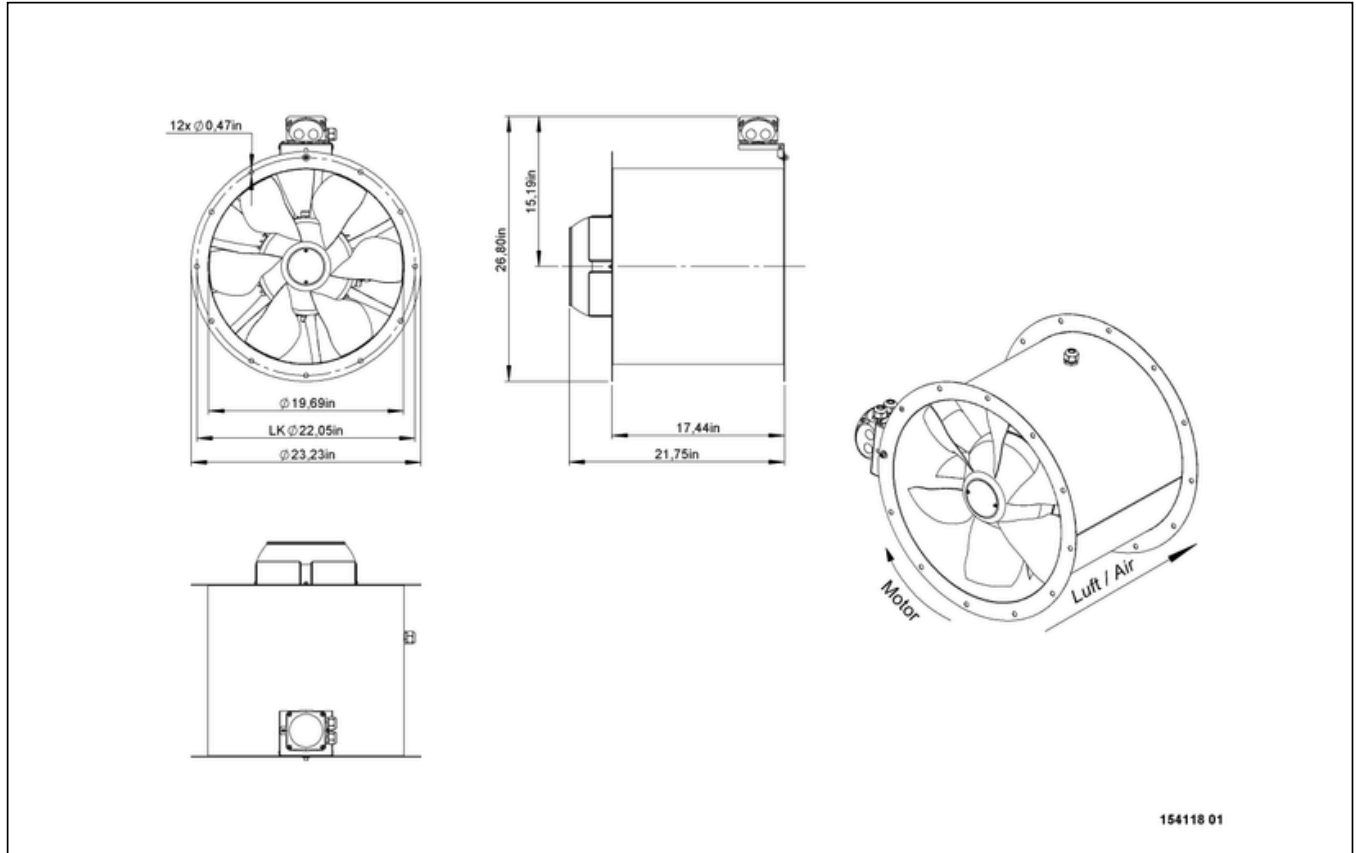


[to the product detail page](#)

AL 500 D2 01

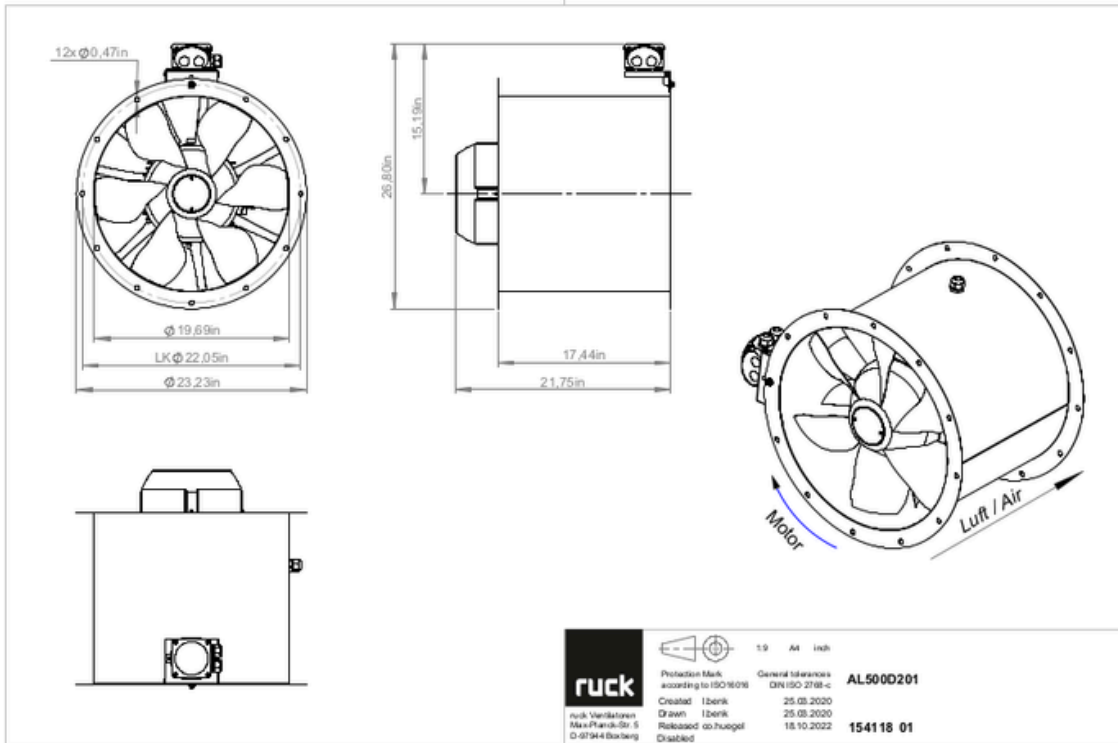
154118

CIRCUIT DIAGRAMS / DIMENSIONAL DRAWINGS



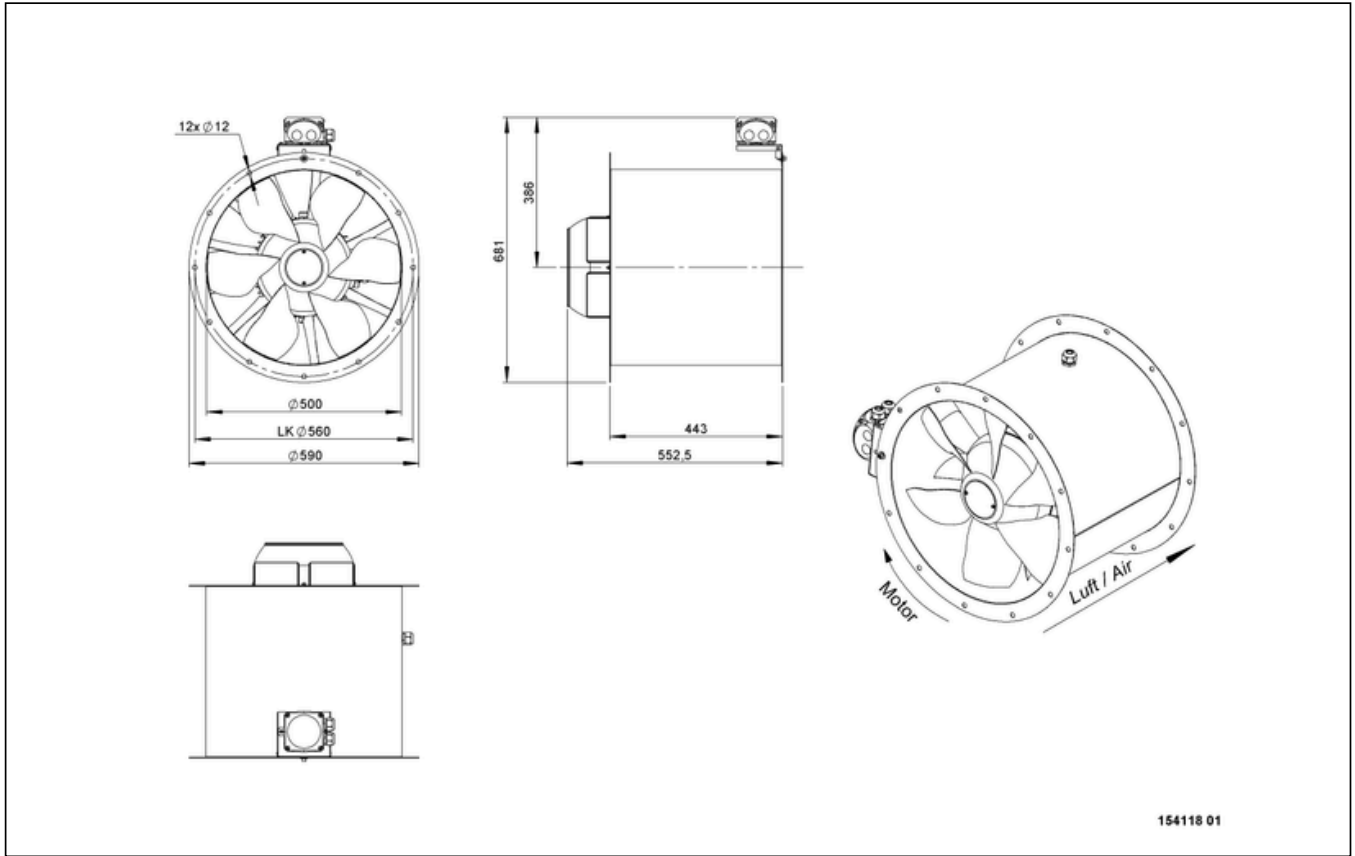
AL 500 D2 01

154118



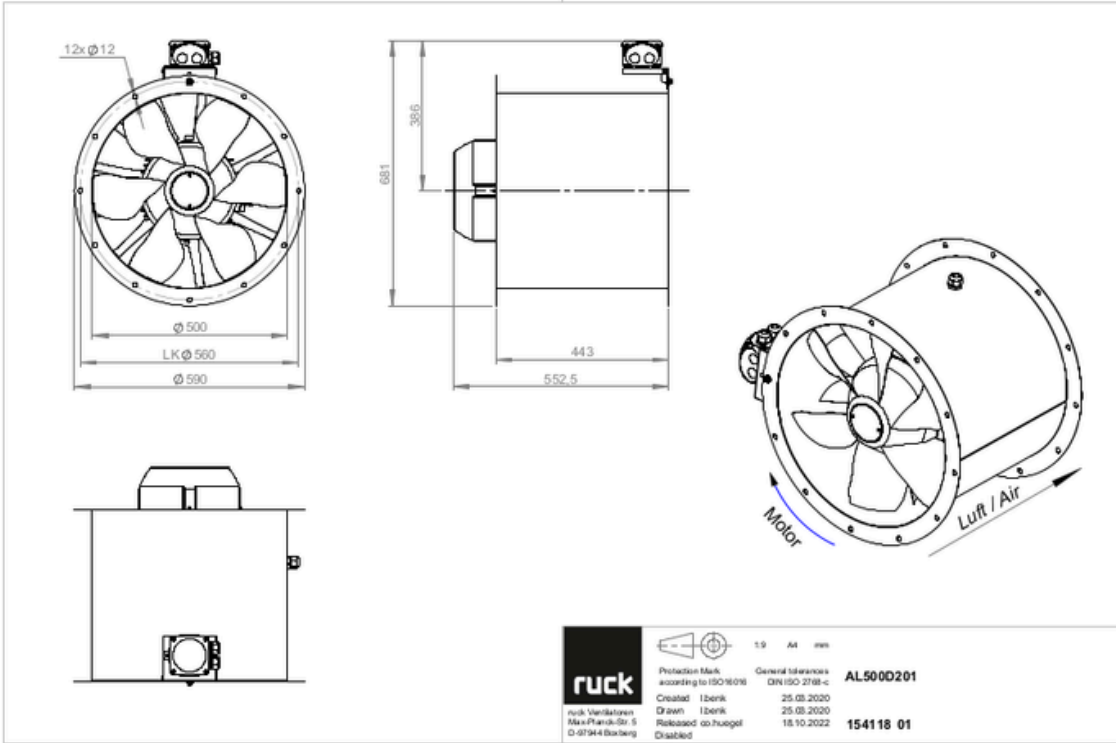
AL 500 D2 01

154118



AL 500 D2 01

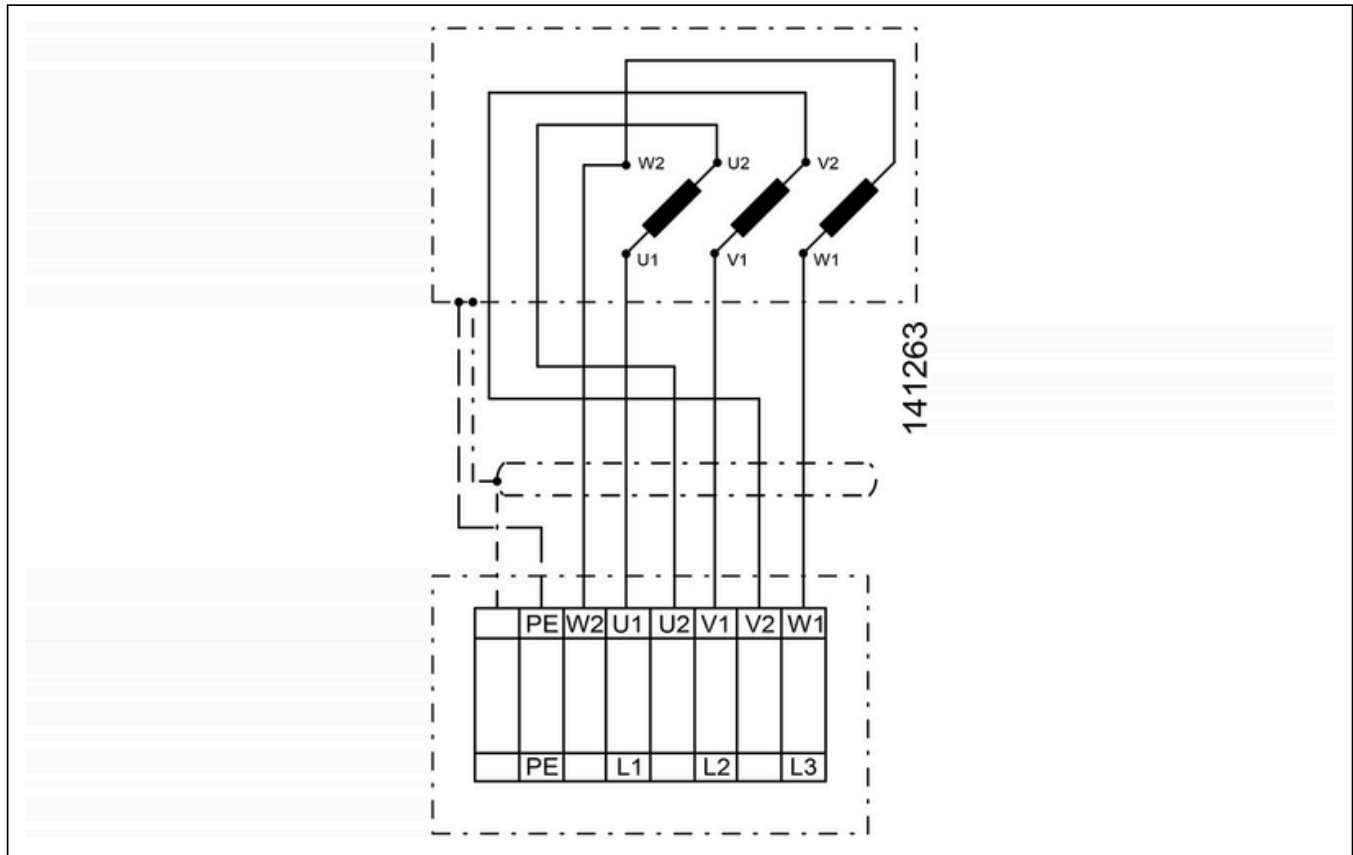
154118



to the product detail page

AL 500 D2 01

154118



to the product detail page

AL 500 D2 01

154118

MECHANICAL ACCESSORIES

RVK 500 | 153900



- Automatic tube shutter
- Sheet steel, powder coated
- For vertical installation
- Flange mounting

RVK H 500 | 154688



- Automatic tube shutter
- Sheet steel, powder coated
- For horizontal installation
- Flange mounting

RAF 500 | 154021



- Round flange
- Sheet steel, powder coated

RVS 500 | 154193



- Tube connection spigot
- Sheet steel, powder coated
- Suitable for outdoor installation
- Flange mounting

ESD 500 | 153956



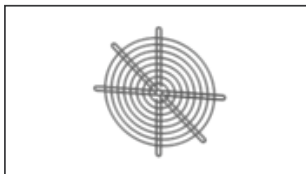
- Inlet cone
- Steel sheet, powder coated
- Flange mounting

FAL 500 | 154809



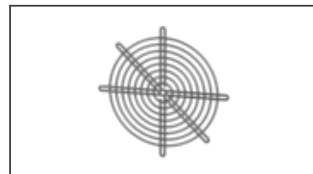
- Mounting foot
- Sheet steel, powder coated

SGW 560 | 154053



- Protection grille, wide meshed
- Steel sheet, galvanized
- Flange mounting

SGW 500 | 154052



- Protection grille, wide meshed
- Steel sheet, galvanized
- Flange mounting

RAS 500 | 154250



- Round spigot, flexible
- Galvanized steel sheet, plastic band (PES)
- Temperature resistant up to 75 °C
- Flange mounting

FSD 04 | 155501



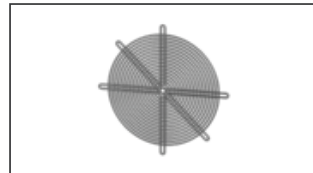
- Set of 4 vibration dampers
- All metal design, galvanized

FSD 06 | 155503



- Set of 4 vibration dampers
- Made of natural rubber, hardness 55 Shore A

SGE 500 | 154076



- Protection grille, narrow meshed
- Steel sheet, galvanized
- Flange mounting

MR 500 | 165814



- Mounting ring
- For vertical mounting
- Powder-coated sheet steel
- Flange mounting DN 500



to the product detail page

ELECTRICAL ACCESSORIES

MS 02 | 140409



- Motor protection switch with Isolator switchfunktion
- I_{max} = 400 V, 50/60 Hz
- Max. 1.5 kW
- Protection class IP 55

MTP 20 | 128146



- Potentiometer 10 kΩ
- Switching contact 1A/250V AC - 2,5A/12V DC
- Max. ambient temperature 50 °C
- VDE

MTP 30 | 143289



- Stepped potentiometer 10 kΩ
- Step 1 + 2 settable 10 % - 100 % V_{dc}
- Step 3 100 % V_{dc}
- Supply voltage +10 V_{dc}

SEN AIR | 148641



- Airflow and temperature transducer
- Measuring range temperature 0...+50 °C
- With adjustable switching threshold (air speed)
- Measuring range air velocity up to 20 m/s

CON P1000 | 115259



- Constant pressure control
- Actual value display possible via optional control unit
- Output 0-10 V DC + FC enable + setpoint reached
- Pressure setting by means of decade switch

FU 55 13 | 155167



- Frequency converter
- Supply voltage 400 V 3~ 50/60 Hz
- Output voltage 0 - 400 V 3~
- Protection class IP 20, for switch cabinet

FU 55 14 | 155168



- Frequency converter
- Supply voltage 400 V 3~ 50/60 Hz
- Output voltage 0 - 400 V 3~
- Fire mode function (smoke extract fans)

GS 02 | 169671



- Isolator switch
- U_{max} = 400 V, 50/60 Hz
- Switching capacity 400 V 3~ = 7,5 kW
- I_{max} = 25 A

