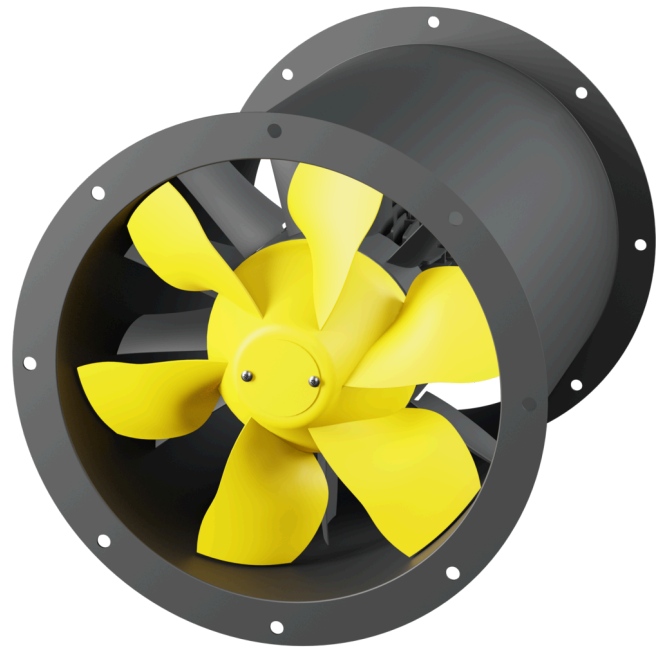


# AL 400 EC 01

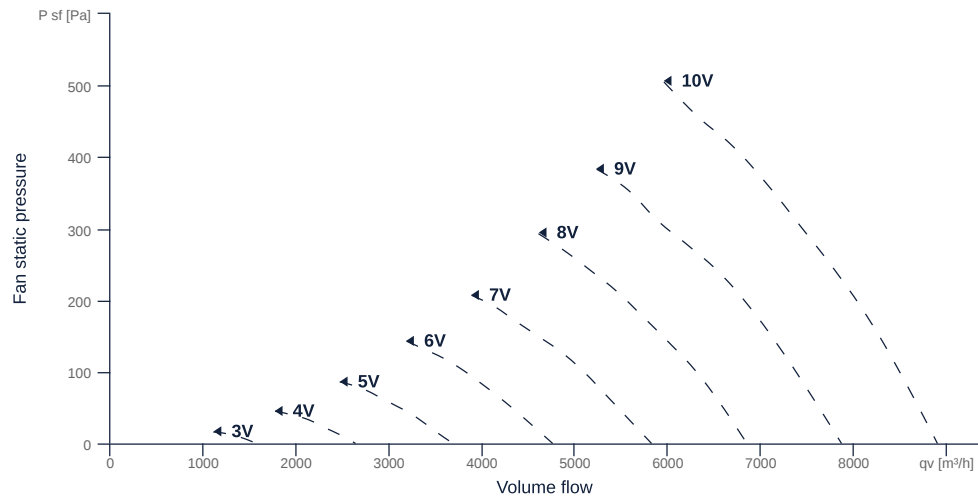
154093

- Innovative, high-efficiency axial fan
- Optimally tuned, CFD-optimized aerodynamics
- Housing weight optimized, powder coated
- High efficiency IE5 motor, steplessly controllable
- Conveyed medium temperature up to 60 °C in continuous operation
- Exceeds current ErP regulation by 15 - 20%



## FAN CURVES

Name	Value	Unit
Volume flow	0	m³/h
Pressure	0	Pa



to the product detail page

## GENERAL DATA

Name	Value	Unit	Formula symbol
Labeling	CE, UKCA		
Duct size	-		WxH <sub>duct</sub>
Pipe connection size (DN)	DN400		DN
Rated voltage (entire device)	230	V	U <sub>rated</sub>
Phases (entire device)	1~		phase
Electrical protection (entire device)	16 A		fuse
Housing material	Coated steel		matcasing
Impeller material	Coated steel		matimpeller
Weight	20.41	kg	m
Fan type	Axial		Fan <sub>type</sub>
Category / Installation situation	B		cat

## MAXIMAL DATA

Name	Value		Unit	Formula symbol
	50 Hz	60 Hz		
Max. power consumption (device)	1460	1460	W	P <sub>ed, max</sub>
Max. operating current (device)	10.3	10.3	A	I <sub>ed, max</sub>
Max. speed	2610	2610	1/min	n <sub>max</sub>
Max. stat. efficiency	57.2	57.2	%	η <sub>es</sub>
Max. fan efficiency	73.5	73.5	%	η <sub>e</sub>
Max. flowrate	8900	8900	m <sup>3</sup> /h	q <sub>v, max</sub>
Max. stat pressure	510	510	Pa	p <sub>st, max</sub>
Max. medium temperature	60	60	°C	T <sub>m, max</sub>
Max. environment temperature	60	60	°C	T <sub>amb, max</sub>
Min. environment temperature	-20	-20	°C	T <sub>amb, min</sub>



to the product detail page

## MOTOR DATA

Name	Value		Unit	Formula symbol
	50 Hz	60 Hz		
Rated frequency (device)		50		f
Motor type		EC		phase
Control type		stepless-controlled		ctrltype
Installation type		IRM (In)		install
Isolation class		ISO F		ISOclass
Motor-protection		TEC		protectmotor
Protection class		IP55		IPmotor
Is pole-changeable		No		polexch
Type of power supply		AC 1~		pwrSUPmotor
Rated voltage	220		V	U <sub>rated, f1</sub>
Rated voltage (wiring 2)	277		V	U <sub>rated, f2</sub>
Rated current	8.7		A	I <sub>rated, f1</sub>
Rated current (wiring 2)	6.9		A	I <sub>rated, f2</sub>
Shaft power	1100		W	P <sub>out, f1</sub>
Shaft power (wiring 2)	1100		W	P <sub>out, f2</sub>
Speed	3000		1/min	n <sub>f1</sub>
Speed (wiring 2)	3000		1/min	n <sub>f2</sub>
Efficiency	87.8		%	η <sub>m, f1</sub>
Efficiency (wiring 2)	87.8		%	η <sub>m, f2</sub>
Min. temperature	-20		°C	T <sub>motor, min</sub>
UL-Certification motor		None		ULcert

## ERP DATA (LOT11)

Name	Value	Unit	Formula symbol
Speed at the energy efficiency optimum	2602	1/min	n <sub>opt</sub>
Efficiency level	80.9	%	N
Efficiency category	total		cat <sub>efficiency</sub>
Input power of the motor at the energy efficiency optimum	1.52	kW	P <sub>e, opt</sub>
Overall efficiency	86.1	%	η <sub>ges</sub>
Measurement category	B		meas cat
Fan pressure at energy efficiency optimum	595	Pa	p <sub>f, opt</sub>
Flowrate at energy efficiency optimum	6697	m³/h	Q <sub>v, opt</sub>

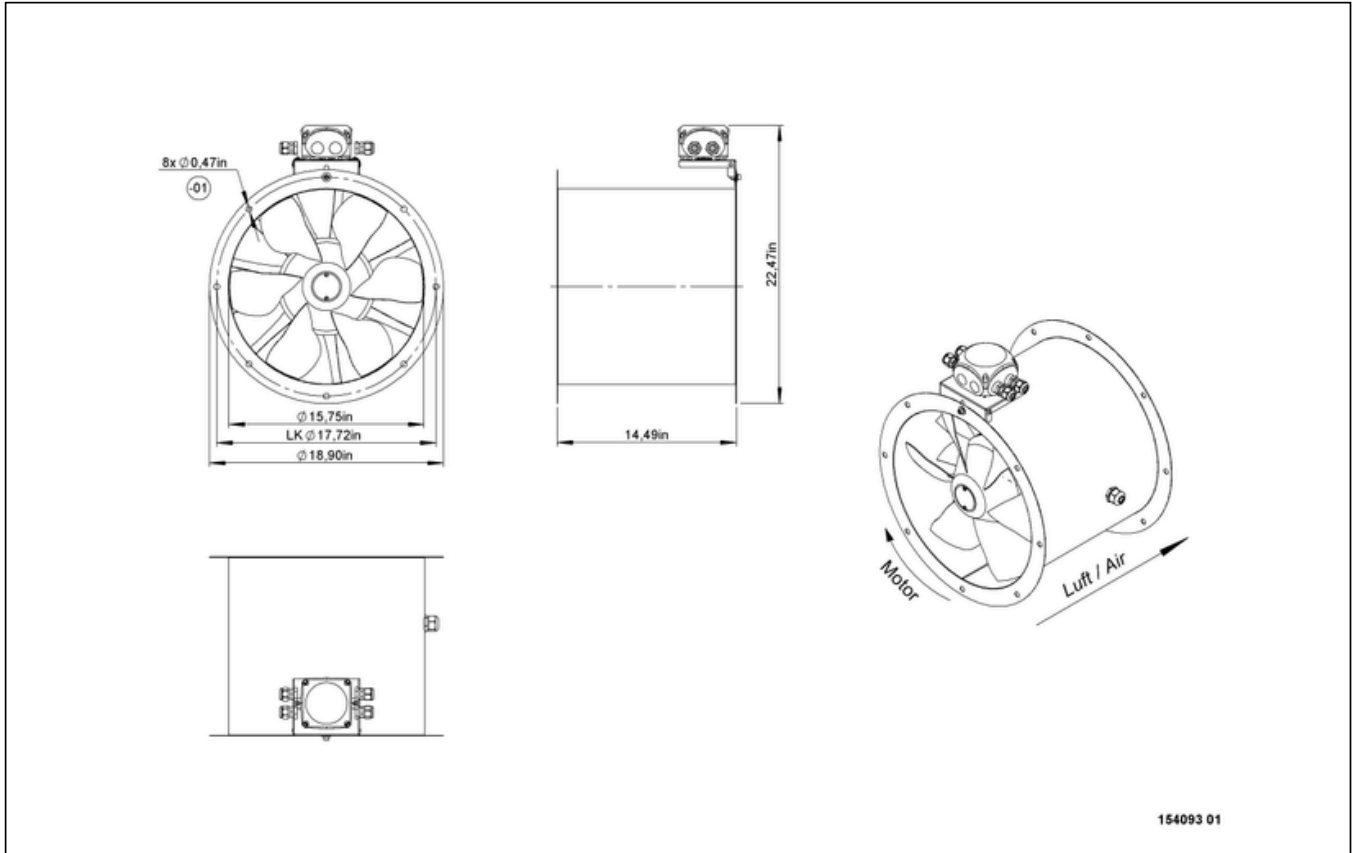


to the product detail page

# AL 400 EC 01

154093

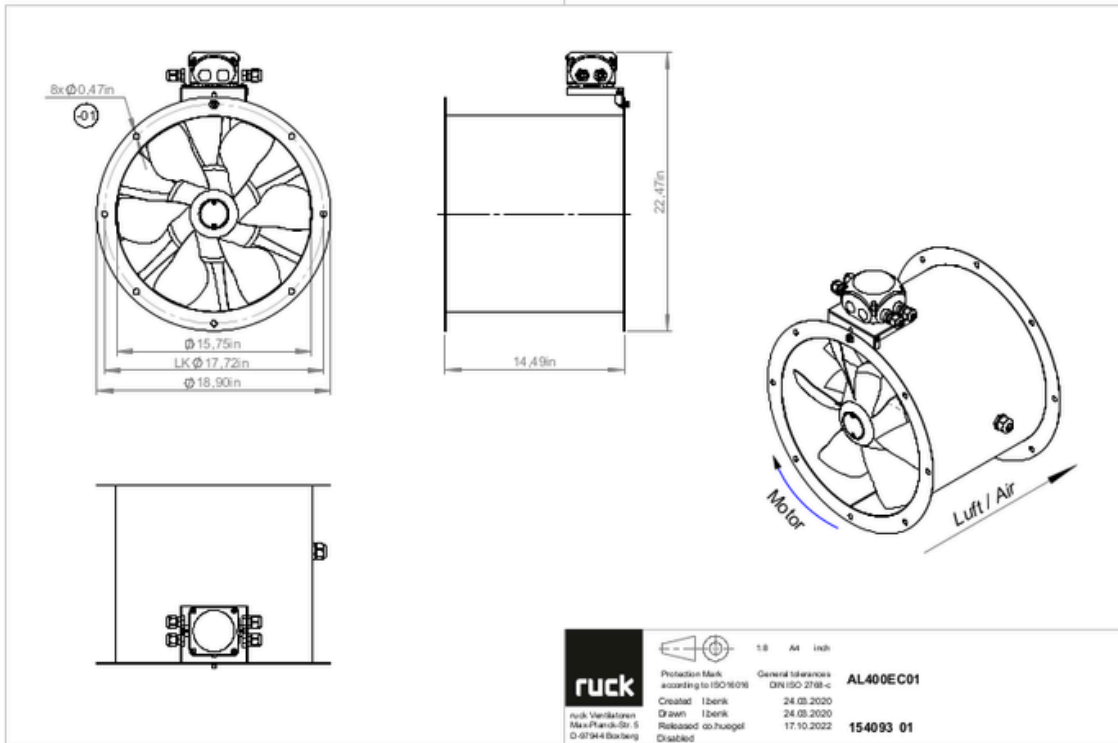
## CIRCUIT DIAGRAMS / DIMENSIONAL DRAWINGS



# AL 400 EC 01

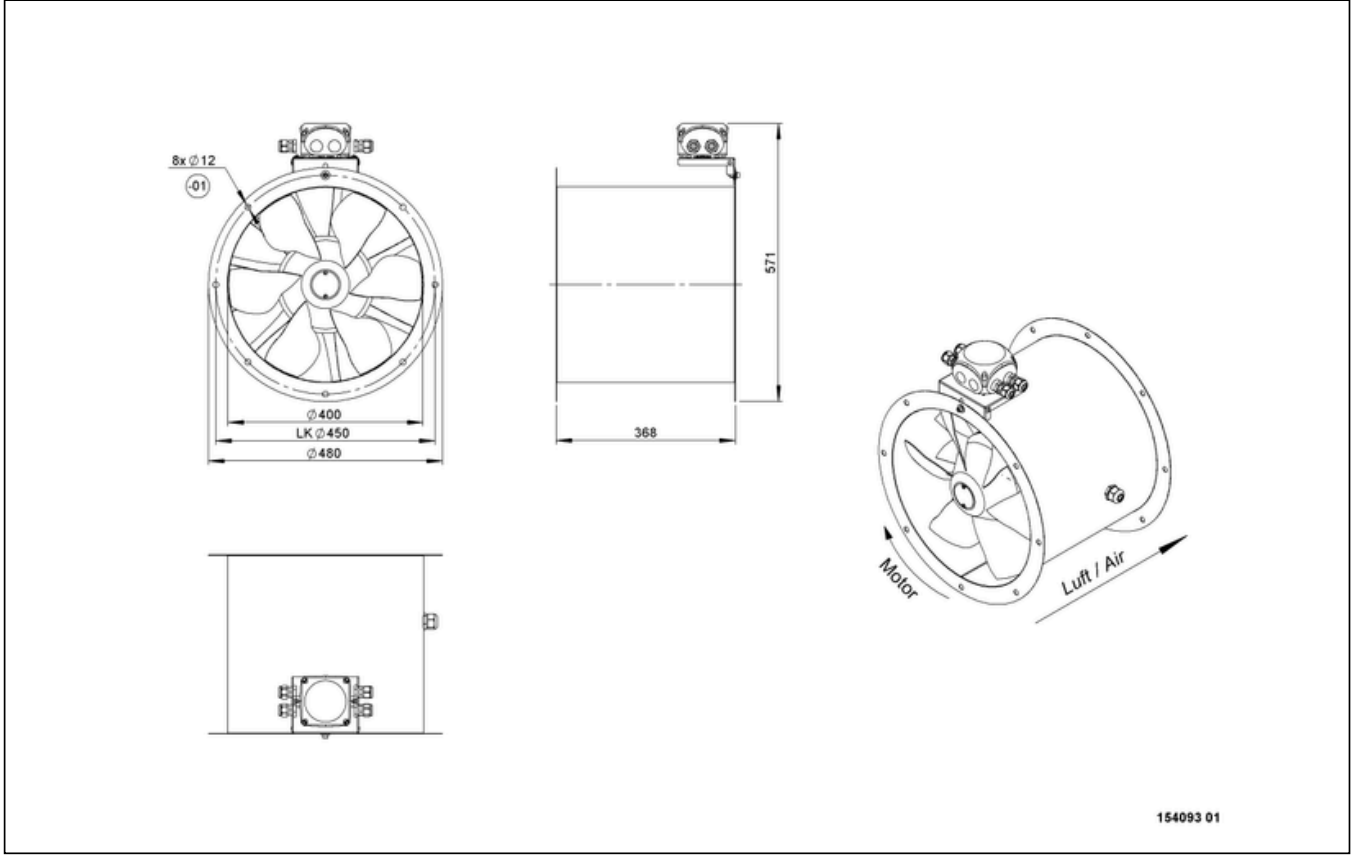
154093

**ruck**



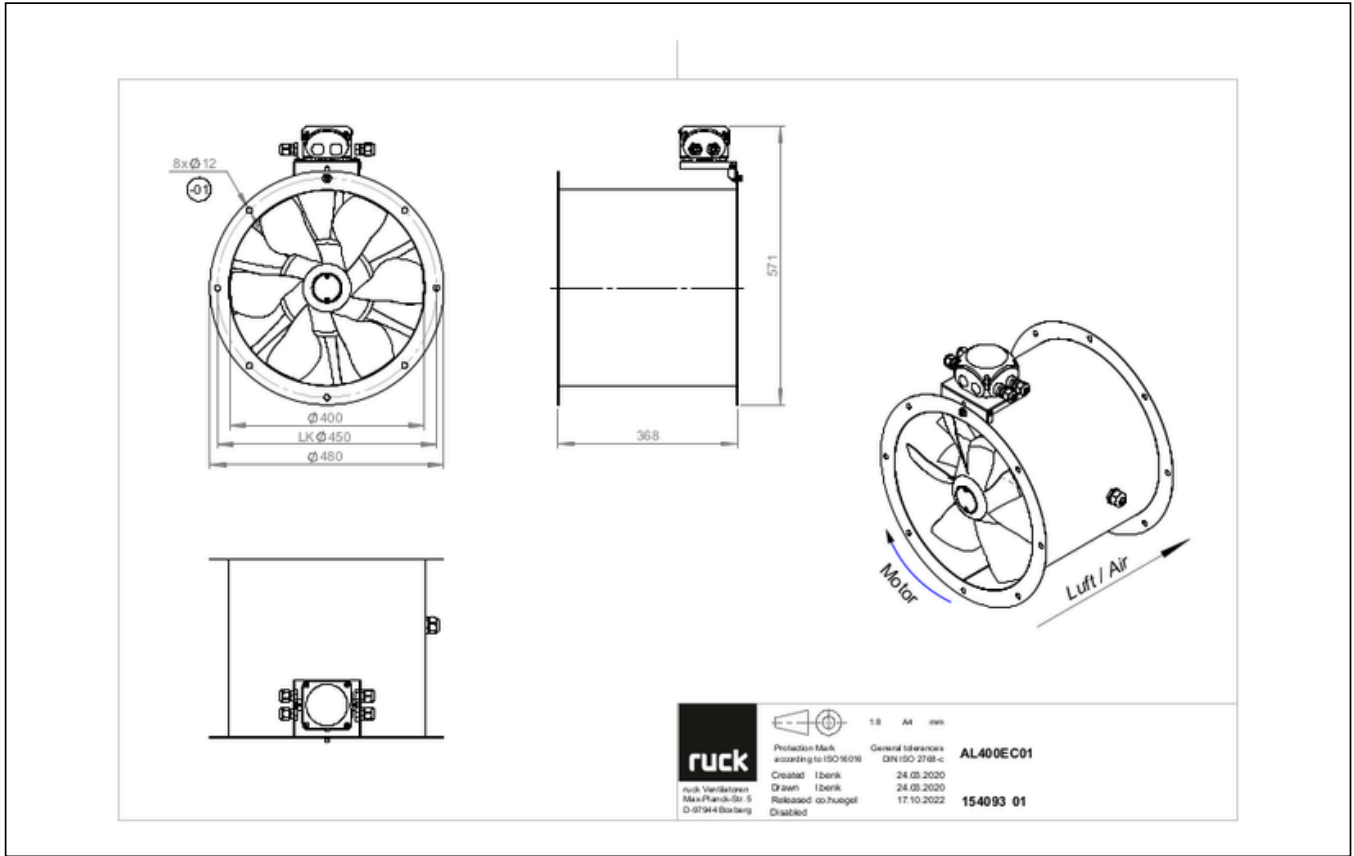
# AL 400 EC 01

154093



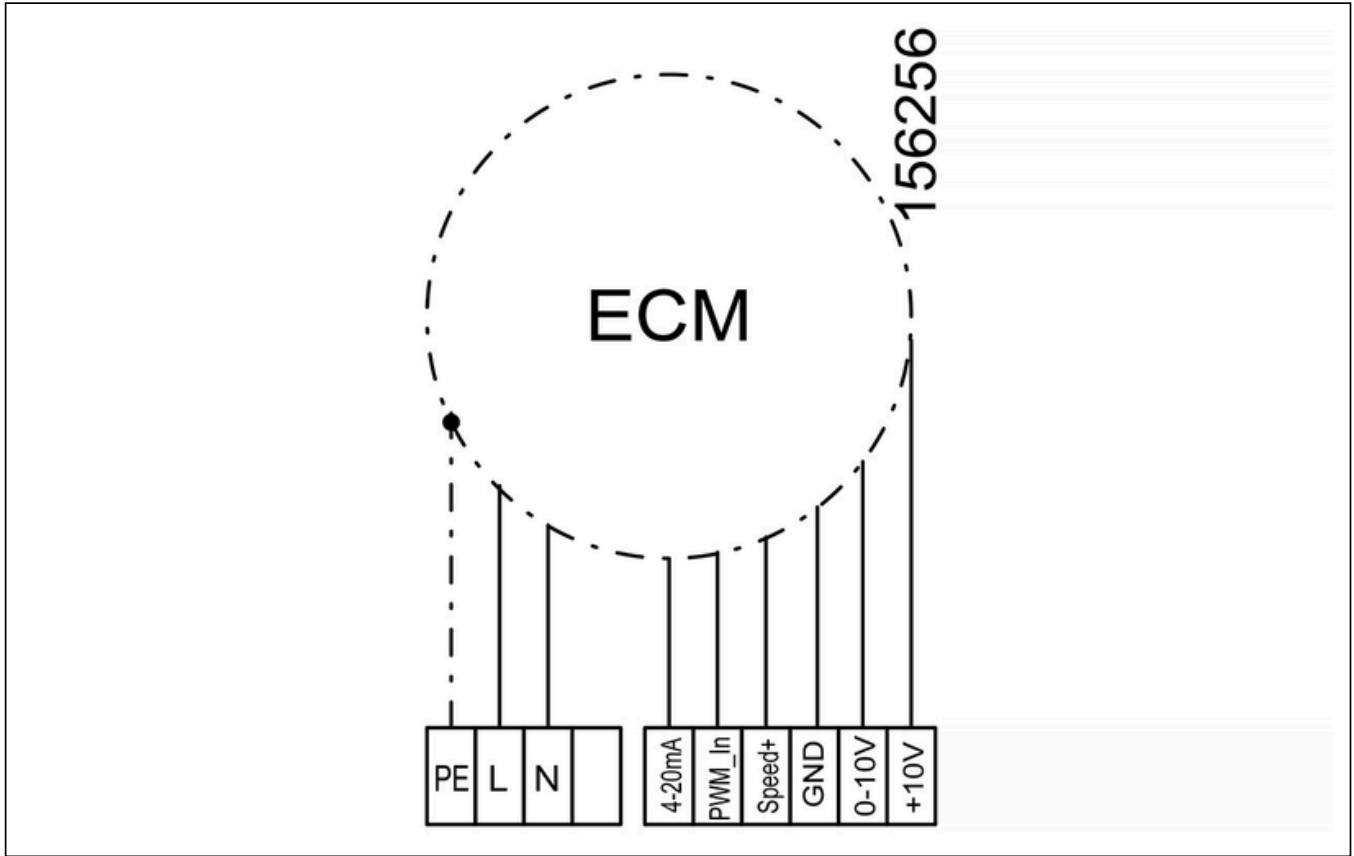
# AL 400 EC 01

154093



# AL 400 EC 01

154093





# AL 400 EC 01

154093

## MECHANICAL ACCESSORIES

**RVK 400 | 153701**



- Automatic tube shutter
- Sheet steel, powder coated
- For vertical installation
- Flange mounting

**RVK H 400 | 153926**



- Automatic tube shutter
- Sheet steel, powder coated
- For horizontal installation
- Flange mounting

**RAF 400 | 154019**



- Round flange
- Sheet steel, powder coated

**RVS 400 | 154183**



- Tube connection spigot
- Sheet steel, powder coated
- Suitable for outdoor installation
- Flange mounting

**ESD 400 | 153959**



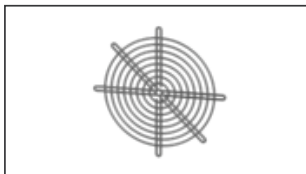
- Inlet cone
- Steel sheet, powder coated
- Flange mounting

**FAL 400 | 154807**



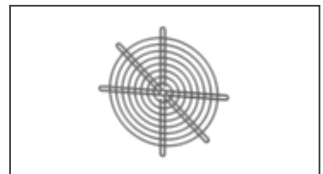
- Mounting foot
- Sheet steel, powder coated

**SGW 400 | 154050**



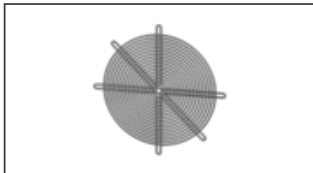
- Protection grille, wide meshed
- Steel sheet, galvanized
- Flange mounting

**SGW 450 | 154051**



- Protection grille, wide meshed
- Steel sheet, galvanized
- Flange mounting

**SGE 400 | 154074**



- Protection grille, narrow meshed
- Steel sheet, galvanized
- Flange mounting

**FSD 01 | 155498**



- Set of 4 vibration dampers
- All metal design, galvanized

**FSD 05 | 155502**



- Set of 4 vibration dampers
- Made of natural rubber, hardness 55 Shore A

**RAS 400 | 154248**



- Round spigot, flexible
- Galvanized steel sheet, plastic band (PES)
- Temperature resistant up to 75 °C
- Flange mounting

**MR 400 | 165742**



- Mounting ring
- For vertical mounting
- Powder-coated sheet steel
- Flange mounting DN 400



to the product detail page

# AL 400 EC 01

154093

## ELECTRICAL ACCESSORIES

MTP 20 | 128146



- Potentiometer 10 k $\Omega$
- Switching contact 1A/250V AC - 2,5A/12V DC
- Max. ambient temperature 50 °C
- VDE

MTP 30 | 143289



- Stepped potentiometer 10 k $\Omega$
- Step 1 + 2 settable 10 % - 100 % Vdc
- Step 3 100 % Vdc
- Supply voltage +10 Vdc

MTP 40 | 147359



- Potentiometer 10 k $\Omega$
- Connection in terminal box
- Max. ambient temperature 50 °C
- PU: 20 pieces

SEN AIR | 148641



- Airflow and temperature transducer
- Measuring range temperature 0...+50 °C
- With adjustable switching threshold (air speed)
- Measuring range air velocity up to 20 m/s

CON P1000 | 115259



- Constant pressure control
- Actual value display possible via optional control unit
- Output 0-10 V DC + FC enable + setpoint reached
- Pressure setting by means of decade switch

GS 02 | 169671



- Isolator switch
- U<sub>max</sub> = 400 V, 50/60 Hz
- Switching capacity 400 V 3~ = 7,5 kW
- I<sub>max</sub> = 25 A



to the product detail page