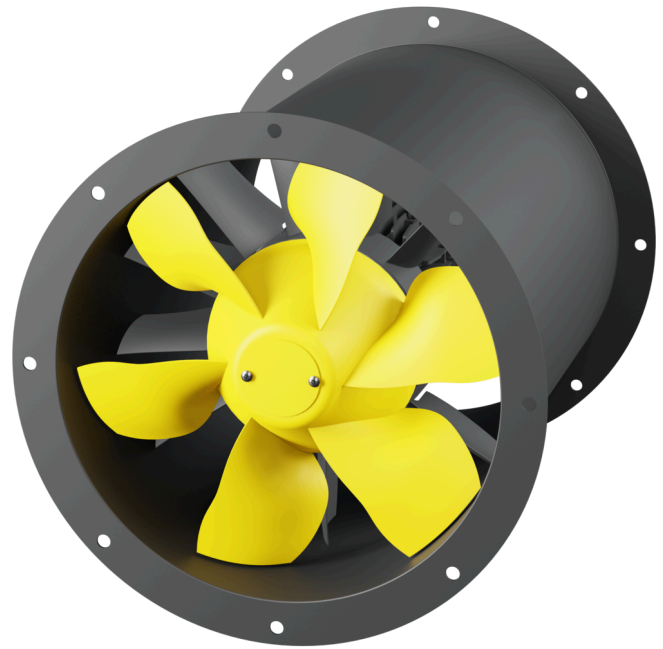


AL 355 EC 01

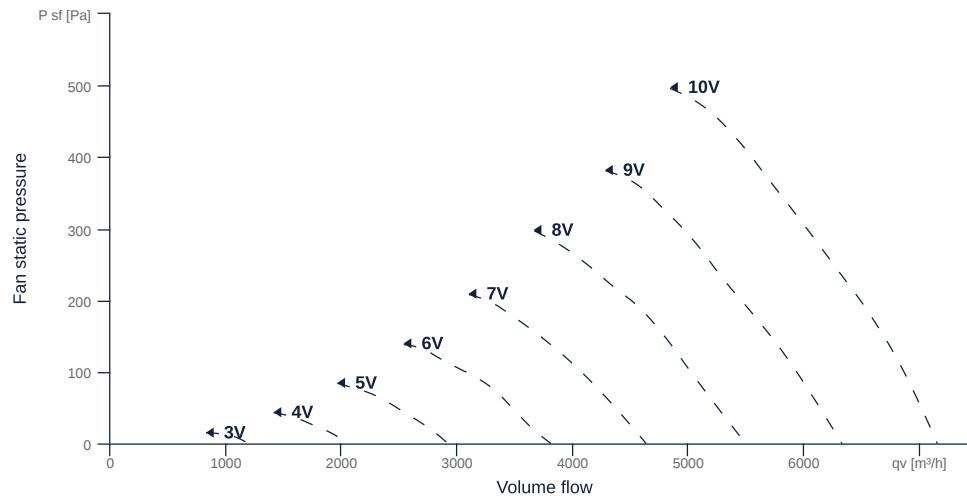
154127

- Innovative, high-efficiency axial fan
- Optimally tuned, CFD-optimized aerodynamics
- Housing weight optimized, powder coated
- High efficiency IE5 motor, steplessly controllable
- Conveyed medium temperature up to 60 °C in continuous operation
- Exceeds current ErP regulation by 15 - 20%



FAN CURVES

Name	Value	Unit
Volume flow	0	m³/h
Pressure	0	Pa



to the product detail page

AL 355 EC 01

154127

ruck

GENERAL DATA

Name	Value	Unit	Formula symbol
Labeling	CE, UKCA		
Duct size	-		WxH _{duct}
Pipe connection size (DN)	DN355		DN
Rated voltage (entire device)	230	V	U _{rated}
Phases (entire device)	1~		phase
Electrical protection (entire device)	10 A		fuse
Housing material	Coated steel		mat _{casing}
Impeller material	Coated steel		mat _{impeller}
Weight	18.13	kg	m
Fan type	Axial		Fan _{type}
Category / Installation situation	B		cat

MAXIMAL DATA

Name	Value		Unit	Formula symbol
	50 Hz	60 Hz		
Max. power consumption (device)	1648	1648	W	P _{ed, max}
Max. operating current (device)	8.5	8.5	A	I _{ed, max}
Max. speed	3000	3000	1/min	n _{max}
Max. stat. efficiency	55.7	55.7	%	η _{es}
Max. fan efficiency	70.7	70.7	%	η _e
Max. flowrate	7155	7155	m ³ /h	Q _{v, max}
Max. stat pressure	500	500	Pa	p _{st, max}
Max. medium temperature	60	60	°C	T _{m, max}
Max. environment temperature	60	60	°C	T _{amb, max}
Min. environment temperature	-20	-20	°C	T _{amb, min}



to the product detail page

MOTOR DATA

Name	Value		Unit	Formula symbol
	50 Hz	60 Hz		
Rated frequency (device)			50	f
Motor type			EC	phase
Control type			stepless-controlled	ctrltype
Installation type			IRM (In)	install
Isolation class			ISO F	ISOclass
Motor-protection			TEC	protectmotor
Protection class			IP55	IPmotor
Is pole-changeable			No	polexch
Type of power supply			AC 1~	pwrSUPmotor
Rated voltage	220		V	U _{rated, f1}
Rated voltage (wiring 2)	277		V	U _{rated, f2}
Rated current	8.7		A	I _{rated, f1}
Rated current (wiring 2)	6.9		A	I _{rated, f2}
Shaft power	1100		W	P _{out, f1}
Shaft power (wiring 2)	1100		W	P _{out, f2}
Speed	3000		1/min	n _{f1}
Speed (wiring 2)	3000		1/min	n _{f2}
Efficiency	87.8		%	η _{m, f1}
Efficiency (wiring 2)	87.8		%	η _{m, f2}
Min. temperature	-20		°C	T _{motor, min}
UL-Certification motor			None	ULcert

ERP DATA (LOT11)

Name	Value	Unit	Formula symbol
Speed at the energy efficiency optimum	3005	1/min	n _{opt}
Efficiency level	72.1	%	N
Efficiency category	total		cat _{efficiency}
Input power of the motor at the energy efficiency optimum	1.14	kW	P _{e, opt}
Overall efficiency	78.1	%	η _{ges}
Measurement category	B		meas cat
Fan pressure at energy efficiency optimum	506	Pa	p _{f, opt}
Flowrate at energy efficiency optimum	5175	m³/h	q _{v, opt}

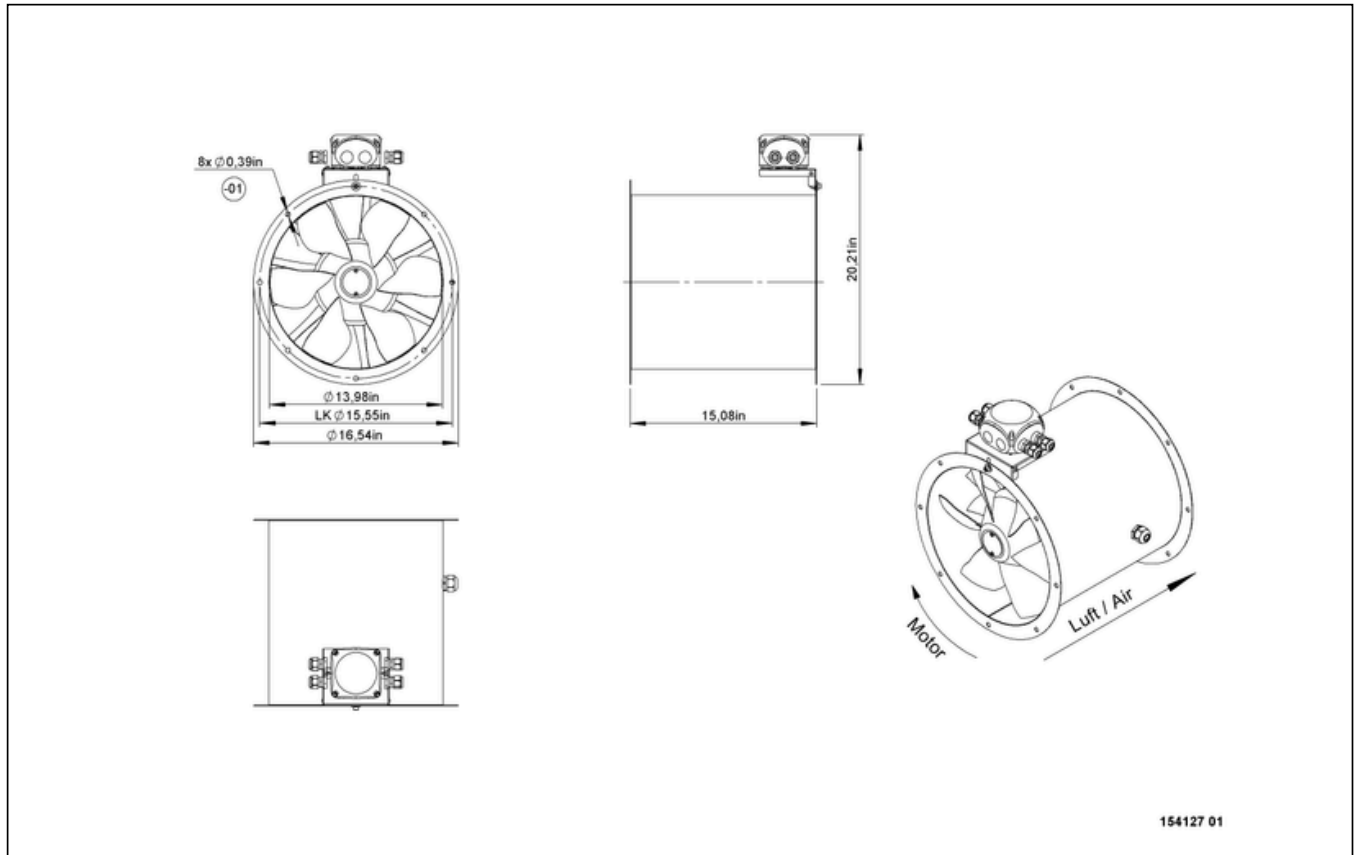


to the product detail page

AL 355 EC 01

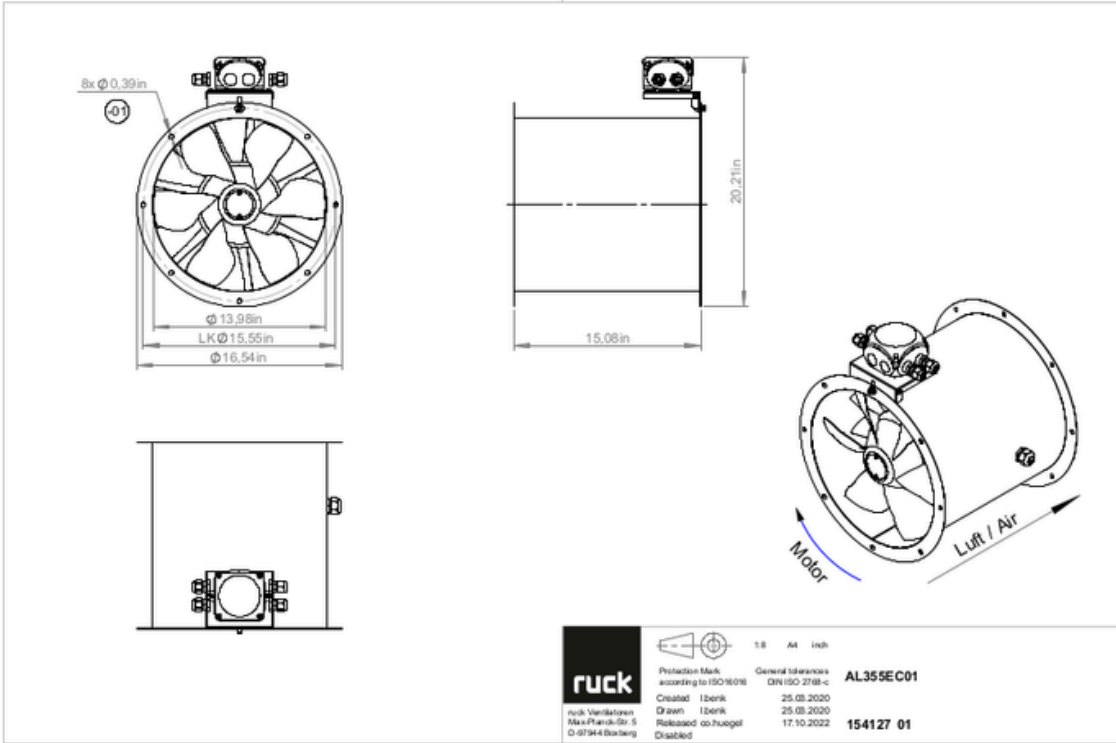
154127

CIRCUIT DIAGRAMS / DIMENSIONAL DRAWINGS



AL 355 EC 01

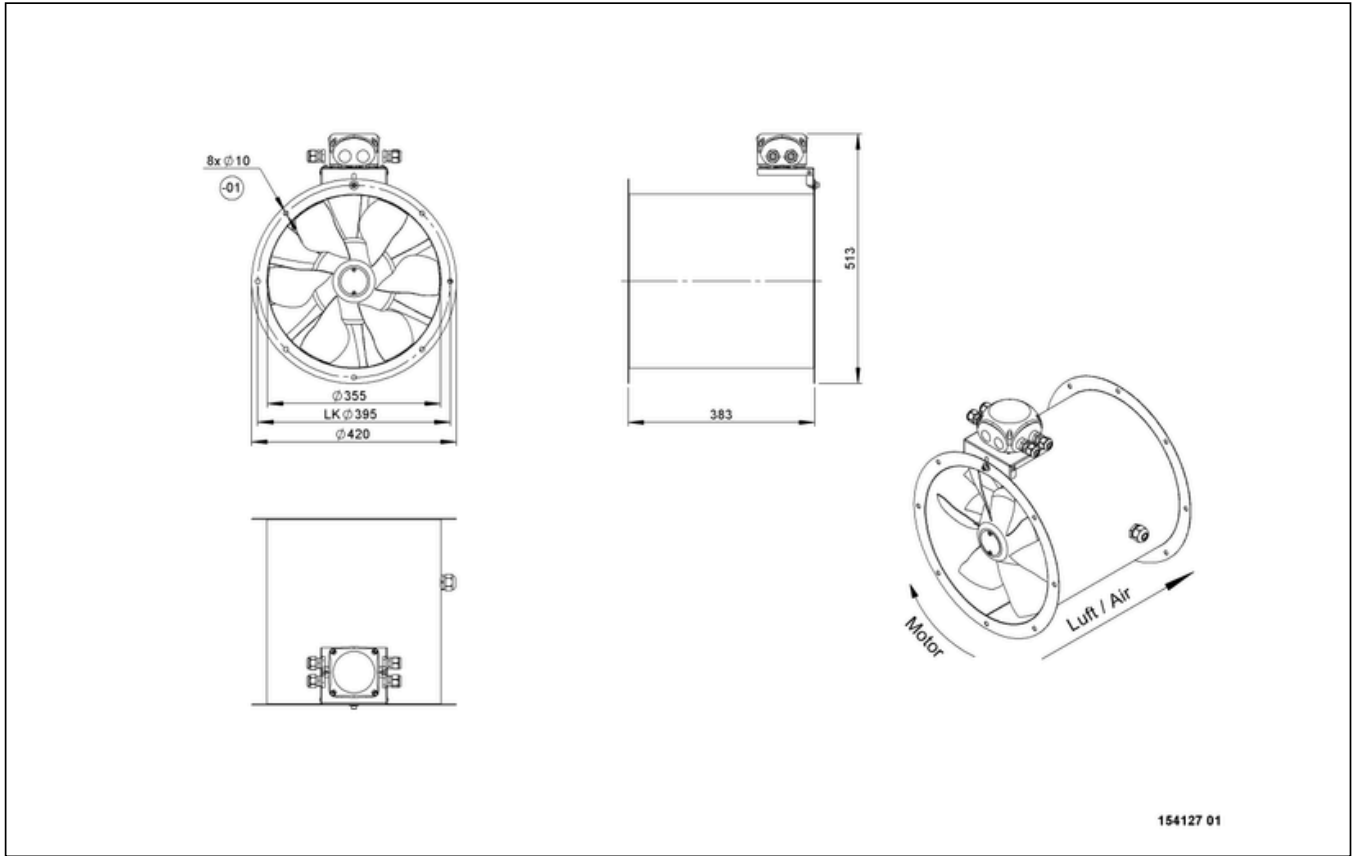
154127



to the product detail page

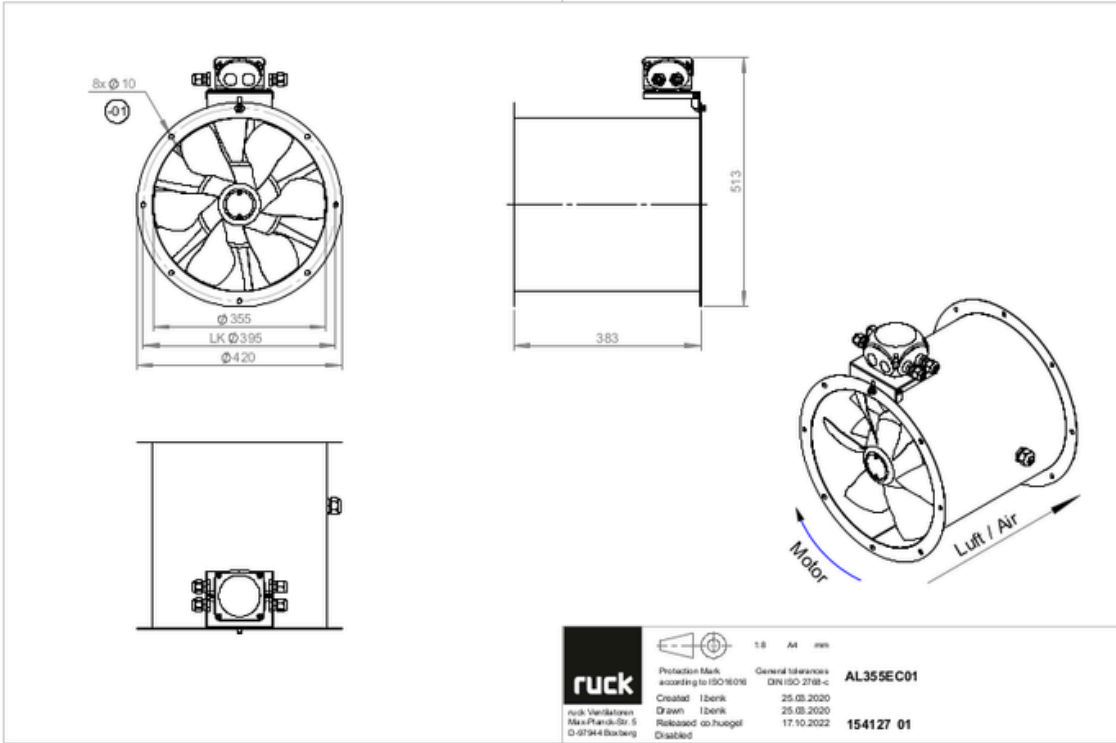
AL 355 EC 01

154127



AL 355 EC 01

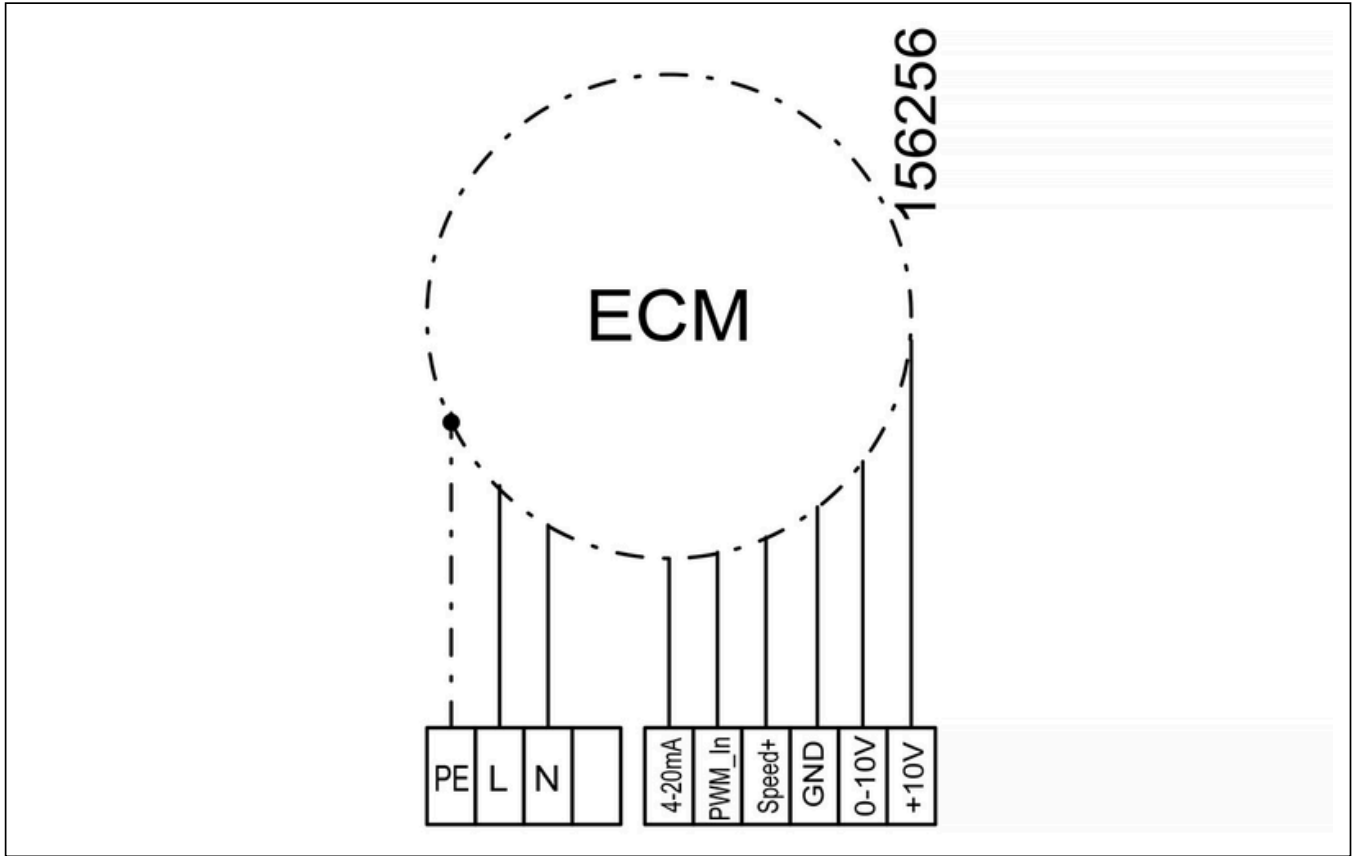
154127



to the product detail page

AL 355 EC 01

154127



AL 355 EC 01

154127

MECHANICAL ACCESSORIES

RVK 355 | 153889



- Automatic tube shutter
- Sheet steel, powder coated
- For vertical installation
- Flange mounting

RVK H 355 | 154872



- Automatic tube shutter
- Sheet steel, powder coated
- For horizontal installation
- Flange mounting

RAF 355 | 154018



- Round flange
- Sheet steel, powder coated

RVS 355 | 154176



- Tube connection spigot
- Sheet steel, powder coated
- Suitable for outdoor installation
- Flange mounting

ESD 355 | 153961



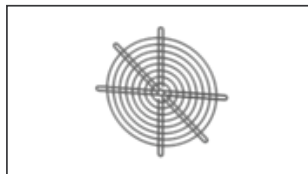
- Inlet cone
- Steel sheet, powder coated
- Flange mounting

FAL 355 | 154806



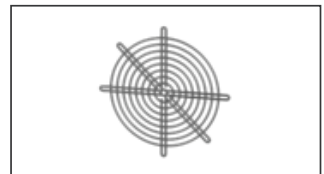
- Mounting foot
- Sheet steel, powder coated

SGW 355 | 154049



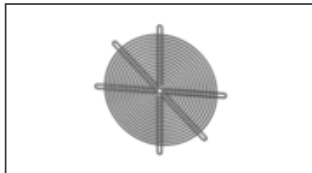
- Protection grille, wide meshed
- Steel sheet, galvanized
- Flange mounting

SGW 400 | 154050



- Protection grille, wide meshed
- Steel sheet, galvanized
- Flange mounting

SGE 355 | 154062



- Protection grille, narrow meshed
- Steel sheet, galvanized
- Flange mounting

FSD 01 | 155498



- Set of 4 vibration dampers
- All metal design, galvanized

FSD 05 | 155502



- Set of 4 vibration dampers
- Made of natural rubber, hardness 55 Shore A

RAS 355 | 154247



- Round spigot, flexible
- Galvanized steel sheet, plastic band (PES)
- Temperature resistant up to 75 °C
- Flange mounting

MR 355 | 165713



- Mounting ring
- For vertical mounting
- Powder-coated sheet steel
- Flange mounting DN 355



to the product detail page

AL 355 EC 01

154127

ELECTRICAL ACCESSORIES

MTP 20 | 128146



- Potentiometer 10 k Ω
- Switching contact 1A/250V AC - 2,5A/12V DC
- Max. ambient temperature 50 °C
- VDE

MTP 30 | 143289



- Stepped potentiometer 10 k Ω
- Step 1 + 2 settable 10 % - 100 % Vdc
- Step 3 100 % Vdc
- Supply voltage +10 Vdc

MTP 40 | 147359



- Potentiometer 10 k Ω
- Connection in terminal box
- Max. ambient temperature 50 °C
- PU: 20 pieces

SEN AIR | 148641



- Airflow and temperature transducer
- Measuring range temperature 0...+50 °C
- With adjustable switching threshold (air speed)
- Measuring range air velocity up to 20 m/s

CON P1000 | 115259



- Constant pressure control
- Actual value display possible via optional control unit
- Output 0-10 V DC + FC enable + setpoint reached
- Pressure setting by means of decade switch

GS 02 | 169671



- Isolator switch
- U_{max} = 400 V, 50/60 Hz
- Switching capacity 400 V 3~ = 7,5 kW
- I_{max} = 25 A



to the product detail page