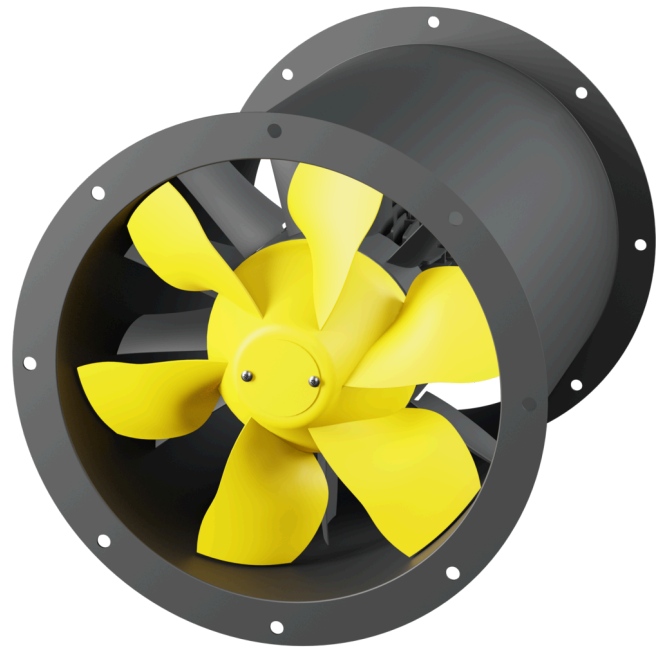


AL 315 EC 01

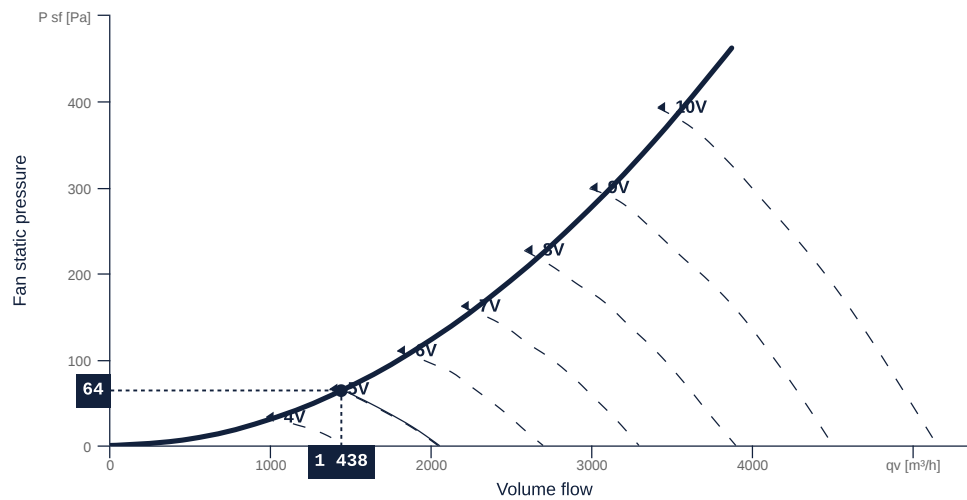
154136

- Innovative, high-efficiency axial fan
- Optimally tuned, CFD-optimized aerodynamics
- Housing weight optimized, powder coated
- High efficiency IE5 motor, steplessly controllable
- Conveyed medium temperature up to 60 °C in continuous operation
- Exceeds current ErP regulation by 15 - 20%



FAN CURVES

Name	Value	Unit
Volume flow	1438	m ³ /h
Pressure	64	Pa



to the product detail page

TECHNICAL SPECIFICATIONS

Name	Value	Unit	Formula symbol
Volume flow	1438	m³/h	QV _{calc}
Pressure	64	Pa	psf _{calc}
Fan pressure	79	Pa	pf
Fan static pressure	64	Pa	psf
Current consumption Motor	0	A	I _e
Electrical power consumption	66	W	P _{ek}
Control voltage	5	V	U _{ctrl}
Rotation speed	1237	1/min	N
Total static efficiency	38	%	etaFaPeK
Total efficiency	47	%	etatPeK
SFP (entire device)	167	W/(m³/s)	sfp _{device}
Sound power level inlet	59	dB(A)	LwA5
Sound power level outlet	70	dB(A)	LwA6
Sound power level housing radiation	56	dB(A)	LwA2

SOUND DATA

Sound power	mid-frequency tape										Unit	Formula symbol
	Σ	63	125	250	500	1000	2000	4000	8000	16000		
suction	60	42	47	54	53	52	49	44	52	45	dB(A)	LwA5
blowout	70	34	52	60	65	65	64	54	53	45	dB(A)	LwA6
Casing break out	57	34	38	51	44	43	40	38	53	47	dB(A)	LwA2

SOUND PRESSURE LEVEL CALCULATOR

Name	Value	Unit
Enveloping surface	Halphsphere	
Distance	3	m

Sound pressure	NR	mid-frequency tape										Unit	Formula symbol
		Σ	63	125	250	500	1000	2000	4000	8000	16000		
suction	42	42	24	29	36	35	35	32	26	34	27	dB(A)	LwA5
blowout	48	53	16	35	42	48	48	47	36	36	27	dB(A)	LwA6
Casing break out	43	39	16	20	33	26	26	22	20	36	30	dB(A)	LwA2



to the product detail page

GENERAL DATA

Name	Value	Unit	Formula symbol
Labeling	CE, UKCA		
Duct size	-		WxH _{duct}
Pipe connection size (DN)	DN315		DN
Rated voltage (entire device)	230	V	U _{rated}
Phases (entire device)	1~		phase
Electrical protection (entire device)	6 A		fuse
Housing material	Coated steel		mat _{casing}
Impeller material	Coated steel		mat _{impeller}
Weight	17.2	kg	m
Fan type	Axial		Fan _{type}
Category / Installation situation	B		cat

MAXIMAL DATA

Name	Value		Unit	Formula symbol
	50 Hz	60 Hz		
Max. power consumption (device)	900	900	W	P _{ed, max}
Max. operating current (device)	5	5	A	I _{ed, max}
Max. speed	3010	3010	1/min	n _{max}
Max. stat. efficiency	53.2	53.2	%	η _{es}
Max. fan efficiency	68.4	68.4	%	η _e
Max. flowrate	5150	5150	m ³ /h	q _{v, max}
Max. stat pressure	390	390	Pa	p _{st, max}
Max. medium temperature	60	60	°C	T _{m, max}
Max. environment temperature	60	60	°C	T _{amb, max}
Min. environment temperature	-20	-20	°C	T _{amb, min}



to the product detail page

MOTOR DATA

Name	Value		Unit	Formula symbol
	50 Hz	60 Hz		
Rated frequency (device)			50	f
Motor type			EC	phase
Control type			stepless-controlled	ctrltype
Installation type			IRM (In)	install
Isolation class			ISO F	ISOclass
Motor-protection			TEC	protectmotor
Protection class			IP55	IPmotor
Is pole-changeable			No	polexch
Type of power supply			AC 1~	pwrSUPmotor
Rated voltage	220		V	U _{rated, f1}
Rated voltage (wiring 2)	277		V	U _{rated, f2}
Rated current	5.9		A	I _{rated, f1}
Rated current (wiring 2)	5.1		A	I _{rated, f2}
Shaft power	750		W	P _{out, f1}
Shaft power (wiring 2)	750		W	P _{out, f2}
Speed	3000		1/min	n _{f1}
Speed (wiring 2)	3000		1/min	n _{f2}
Efficiency	86.3		%	η _{m, f1}
Efficiency (wiring 2)	86.3		%	η _{m, f2}
Min. temperature	-20		°C	T _{motor, min}
UL-Certification motor			None	ULcert

ERP DATA (LOT11)

Name	Value	Unit	Formula symbol
Speed at the energy efficiency optimum	3009	1/min	n _{opt}
Efficiency level	71.3	%	N
Efficiency category	total		cat _{efficiency}
Input power of the motor at the energy efficiency optimum	0.64	kW	P _{e, opt}
Overall efficiency	78.8	%	η _{ges}
Measurement category	B		meas cat
Fan pressure at energy efficiency optimum	389	Pa	p _{f, opt}
Flowrate at energy efficiency optimum	3733	m³/h	q _{v, opt}

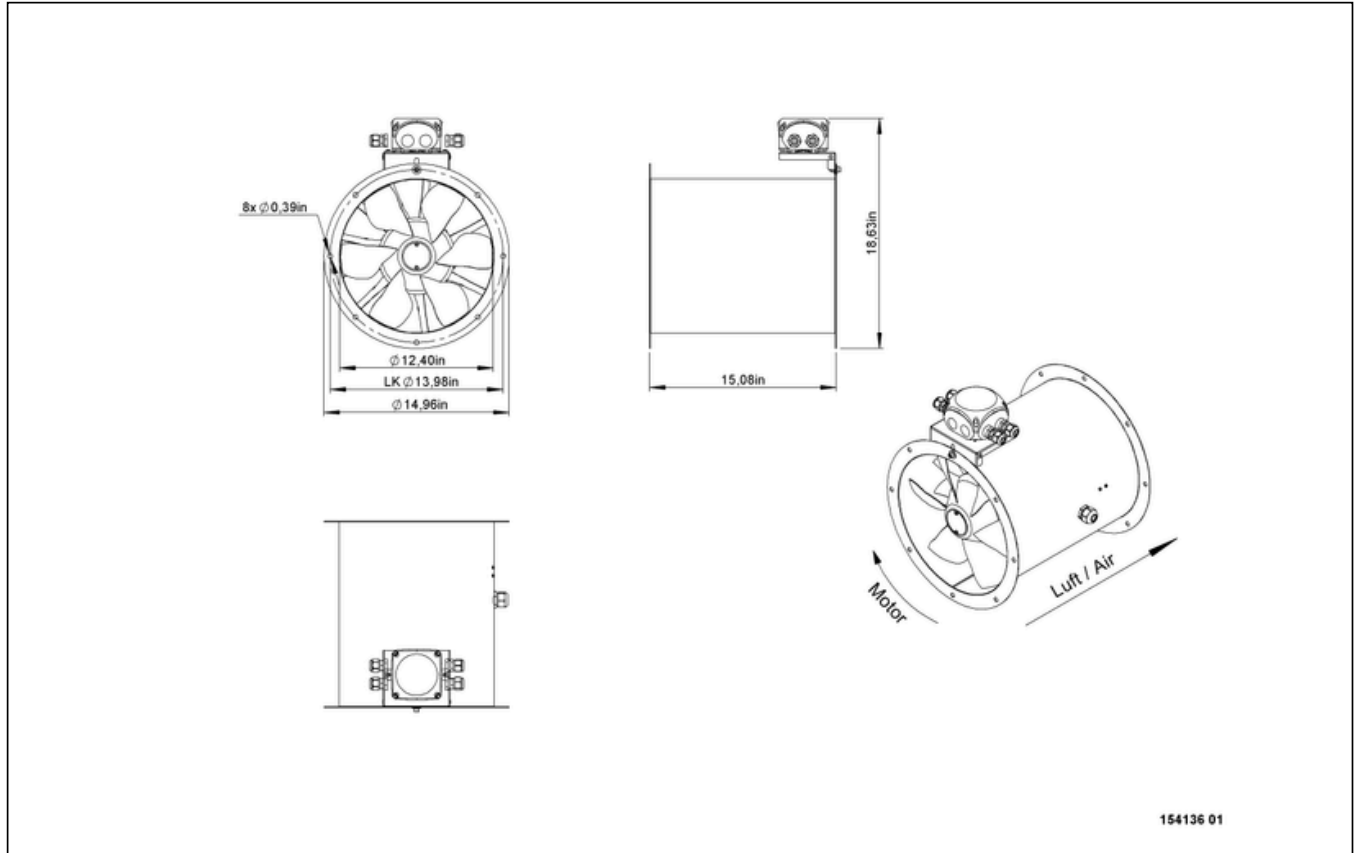


to the product detail page

AL 315 EC 01

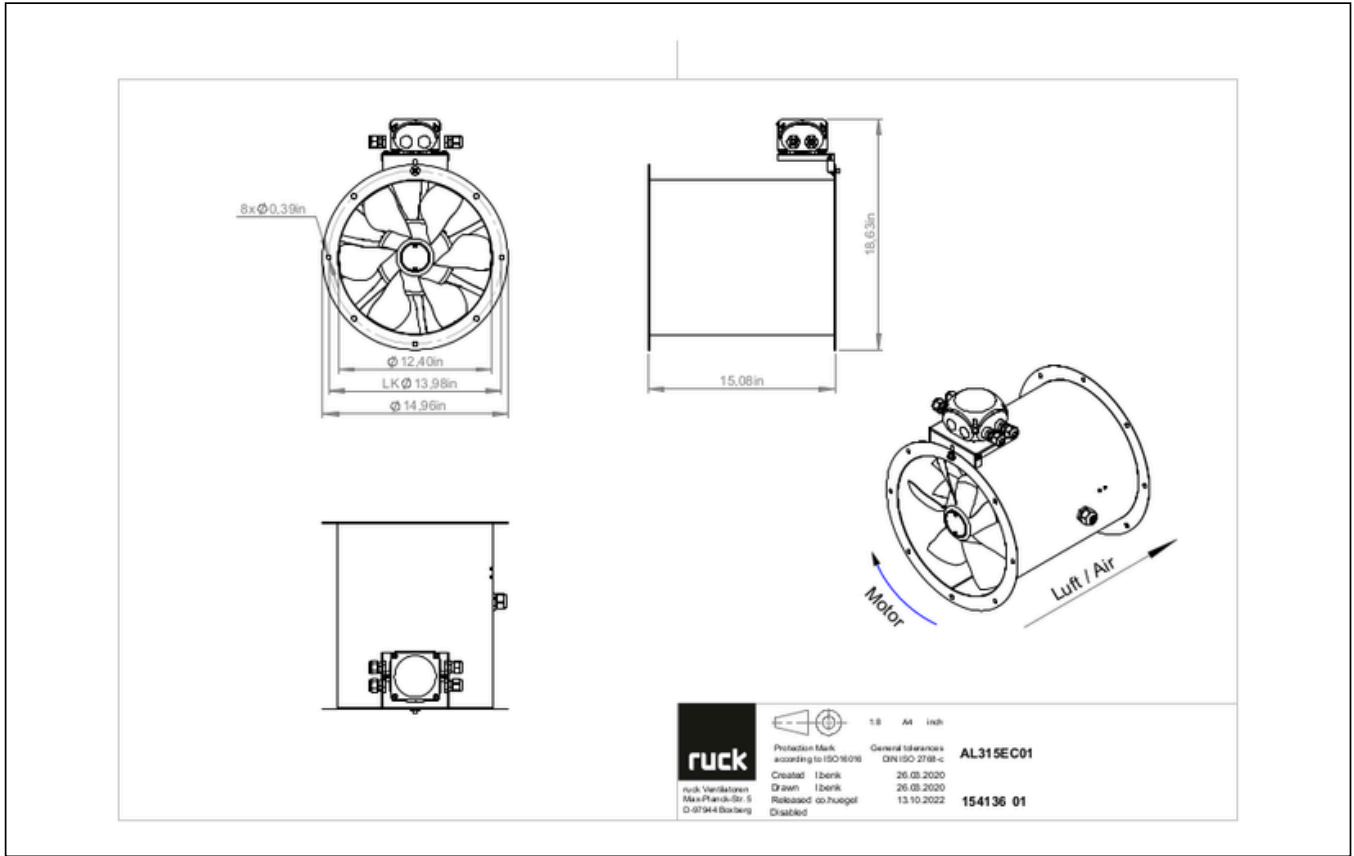
154136

CIRCUIT DIAGRAMS / DIMENSIONAL DRAWINGS



AL 315 EC 01

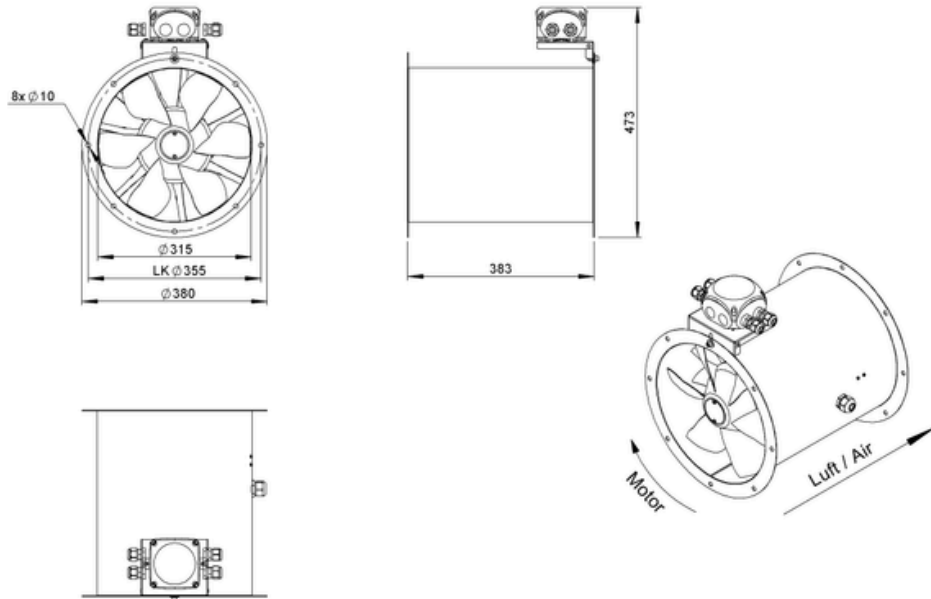
154136



to the product detail page

AL 315 EC 01

154136

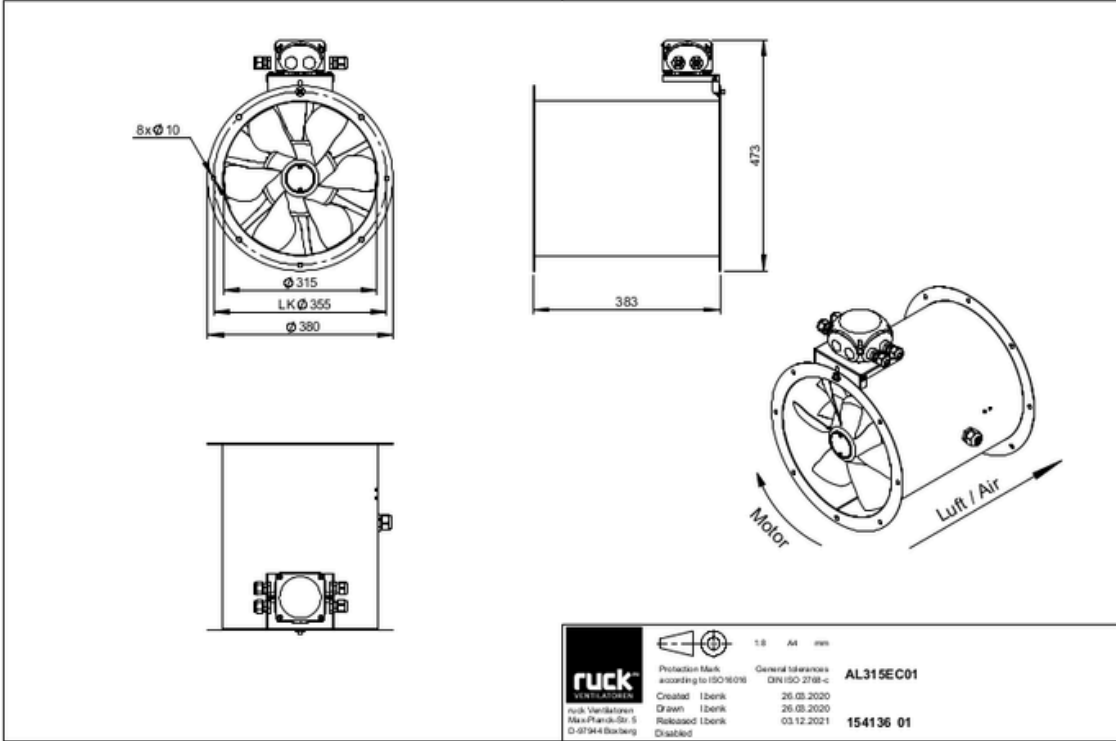


154136 01



AL 315 EC 01

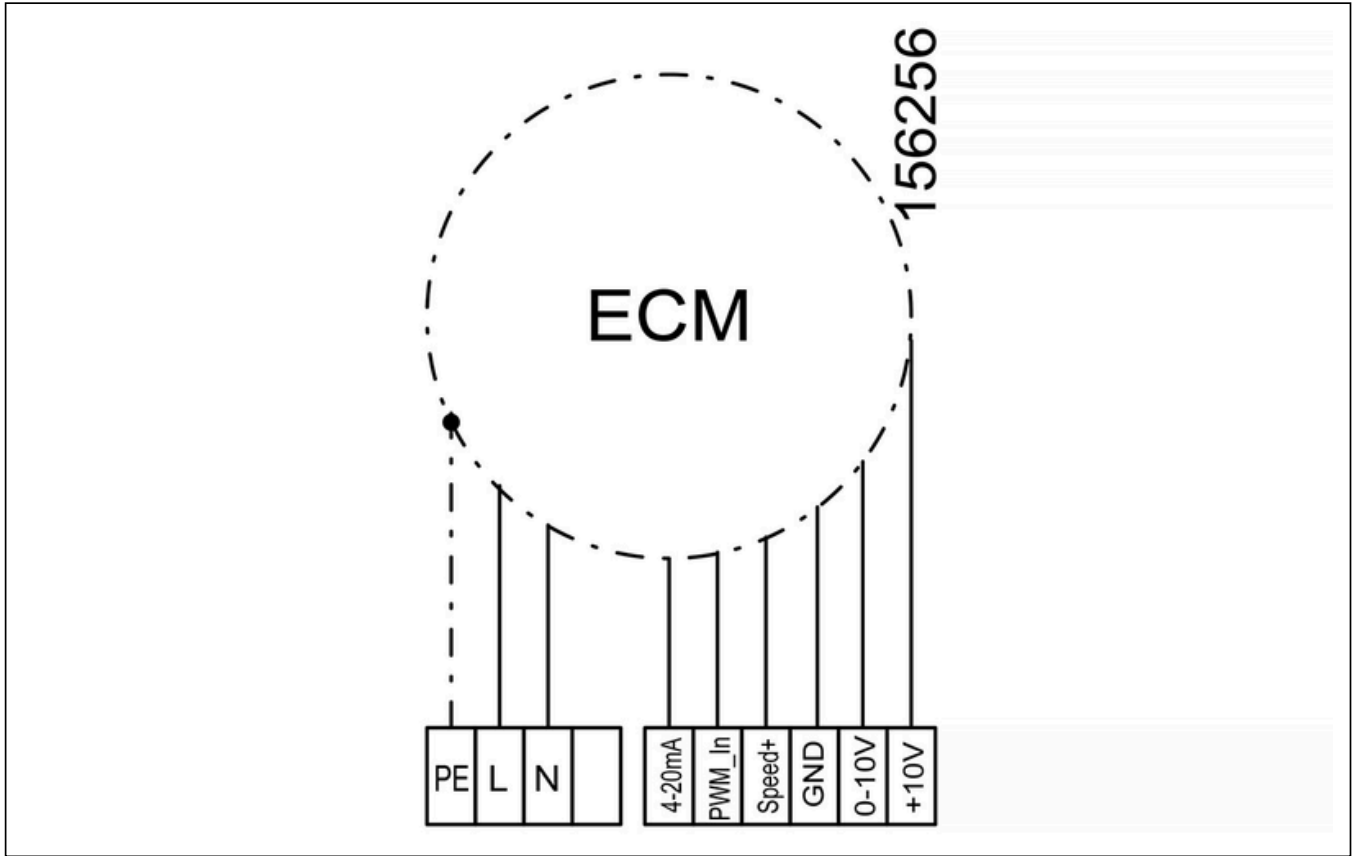
154136



to the product detail page

AL 315 EC 01

154136



AL 315 EC 01

154136

MECHANICAL ACCESSORIES

RVK 315 | 153873



- Automatic tube shutter
- Sheet steel, powder coated
- For vertical installation
- Flange mounting

RVK H 315 | 155010



- Automatic tube shutter
- Sheet steel, powder coated
- For horizontal installation
- Flange mounting

RAF 315 | 154016



- Round flange
- Sheet steel, powder coated

RVS 315 | 154174



- Tube connection spigot
- Sheet steel, powder coated
- Suitable for outdoor installation
- Flange mounting

RAS 315 | 154246



- Round spigot, flexible
- Galvanized steel sheet, plastic band (PES)
- Temperature resistant up to 75 °C
- Flange mounting

ESD 315 | 153962



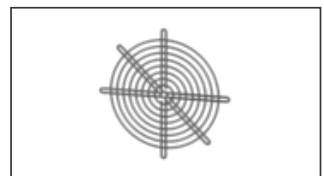
- Inlet cone
- Steel sheet, powder coated
- Flange mounting

FAL 315 | 154805



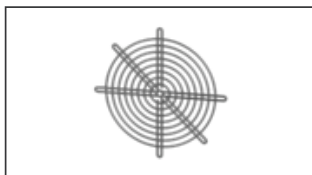
- Mounting foot
- Sheet steel, powder coated

SGW 315 | 154047



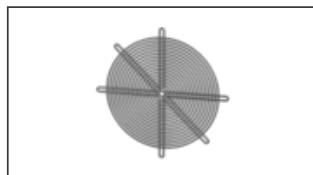
- Protection grille, wide meshed
- Steel sheet, galvanized
- Flange mounting

SGW 355 | 154049



- Protection grille, wide meshed
- Steel sheet, galvanized
- Flange mounting

SGE 315 | 154058



- Protection grille, narrow meshed
- Steel sheet, galvanized
- Flange mounting

FSD 01 | 155498



- Set of 4 vibration dampers
- All metal design, galvanized

FSD 05 | 155502



- Set of 4 vibration dampers
- Made of natural rubber, hardness 55 Shore A

MR 315 | 165670



- Mounting ring
- For vertical mounting
- Powder-coated sheet steel
- Flange mounting DN 315



to the product detail page

AL 315 EC 01

154136

ELECTRICAL ACCESSORIES

MTP 20 | 128146



- Potentiometer 10 k Ω
- Switching contact 1A/250V AC - 2,5A/12V DC
- Max. ambient temperature 50 °C
- VDE

MTP 30 | 143289



- Stepped potentiometer 10 k Ω
- Step 1 + 2 settable 10 % - 100 % Vdc
- Step 3 100 % Vdc
- Supply voltage +10 Vdc

MTP 40 | 147359



- Potentiometer 10 k Ω
- Connection in terminal box
- Max. ambient temperature 50 °C
- PU: 20 pieces

SEN AIR | 148641



- Airflow and temperature transducer
- Measuring range temperature 0...+50 °C
- With adjustable switching threshold (air speed)
- Measuring range air velocity up to 20 m/s

CON P1000 | 115259



- Constant pressure control
- Actual value display possible via optional control unit
- Output 0-10 V DC + FC enable + setpoint reached
- Pressure setting by means of decade switch



to the product detail page